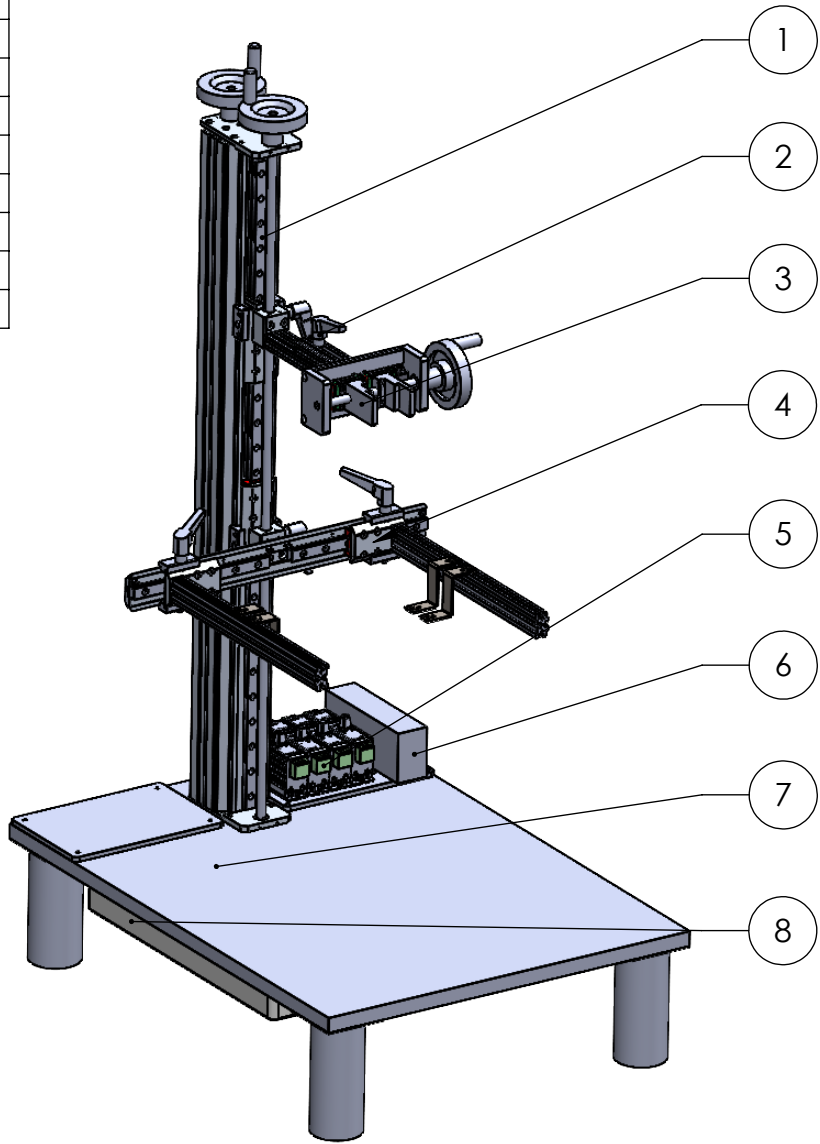


1	2	3	4	5	6	7	8
ITEM NO.	PART NUMBER						
1	VT-4SIDE-670-INNER-ADJUSTMENT-SLIDER						
2	EB-80&85						
3	PTS-UCM-V3						
4	CM-328-SLIDER-COMBINE BRACKET						
5	SD-4000-D1						
6	24V POWER SUPPLY						
7	WHITE BASE PLATE (400MMX540MMX15MM)						
8	EXTENSION PLUG						



DESIGN BY	KANG	UNIT:	PRODUCT SERIES: PTS3 SERIES	
CHECK BY	KANG	MM		
DATE	15/11/2022	REVISION:	TITLE	EXPLODED LAYOUT
MATERIAL	-	01	PART NO	PTS3-V-U-AJM-UCM-SD-4000
FINISHING	-	SCALE:	DWG NO	-
QTY	-	1 : 1	SHEET 1 OF 1	



1 2 3 4 5 6 7 8

D

C

B

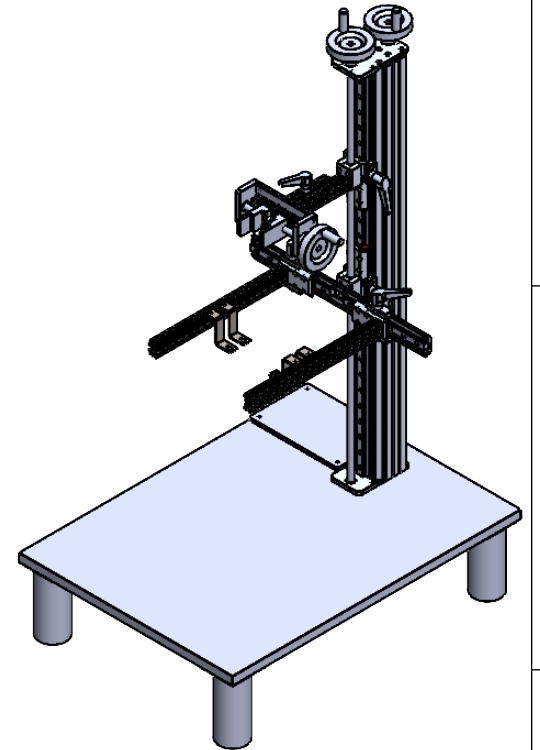
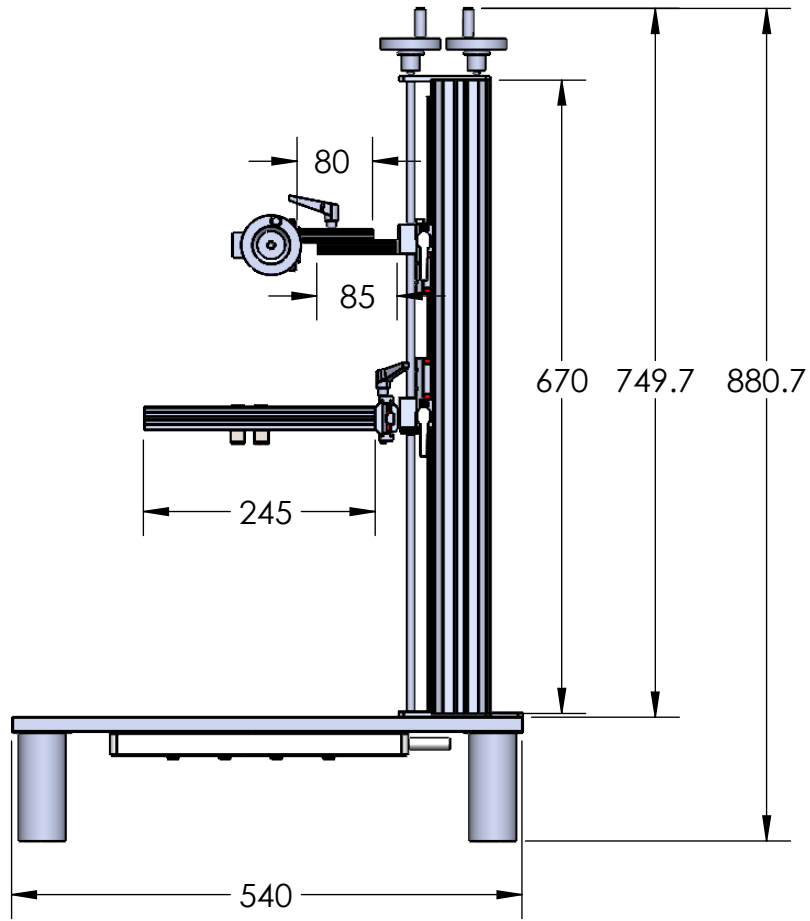
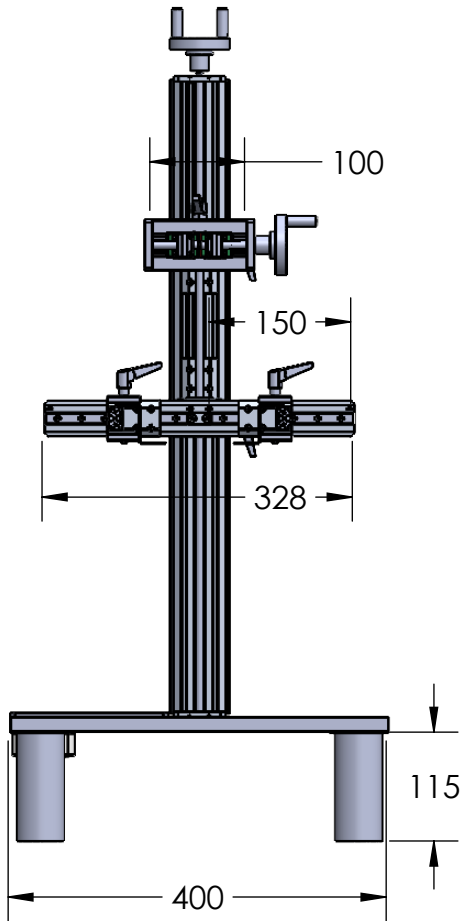
A

D

C

B

A



DESIGN BY	KANG	UNIT: MM	PRODUCT SERIES: PTS3 SERIES	
CHECK BY	KANG			
DATE	26/10/2022	REVISION: 01	TITLE	DRAWING LAYOUT
MATERIAL	-	SCALE: 1:1	PART NO	PTS3-V-U-AJM-UCM
FINISHING	-		DWG NO	-
QTY	-			SHEET 1 OF 1

1 2 3 4 5 6 7 8