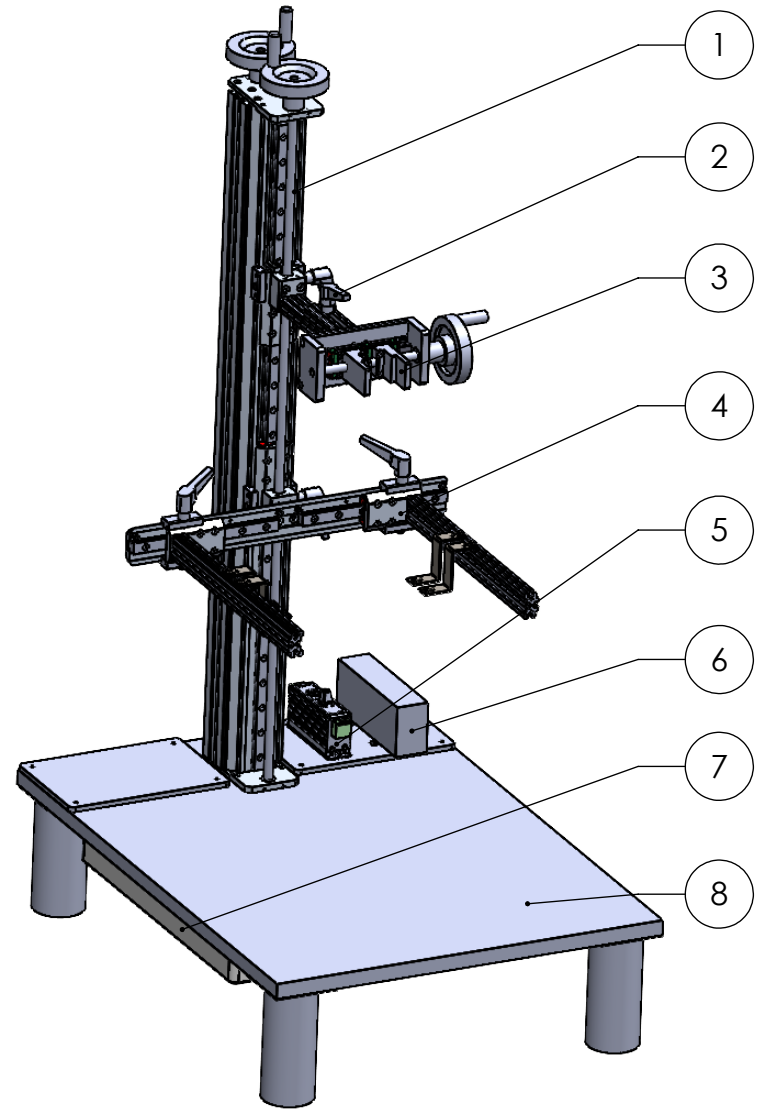


1	2	3	4	5	6	7	8
ITEM NO.	PART NUMBER						
1	VT-4SIDE-670-INNER-ADJUSTMENT-SLIDER						
2	M6-80-85						
3	PTS-UCM-V3						
4	CM-328-SLIDER-COMBINE BRACKET						
5	SD-1000-D1						
6	24V POWER SUPPLY						
7	EXTENSION PLUG						
8	WHITE BASE PLATE (400MMX540MMX15MM)						



DESIGN BY	KANG	UNIT:	PRODUCT SERIES: PTS3 SERIES	
CHECK BY	KANG	MM		
DATE	15/11/2022	REVISION:	TITLE	EXPLODED LAYOUT
MATERIAL	-	01	PART NO	PTS3-V-U-AJM-UCM-SD-1000
FINISHING	-	SCALE:	DWG NO	-
QTY	-	1 : 7	SHEET 1 OF 1	

