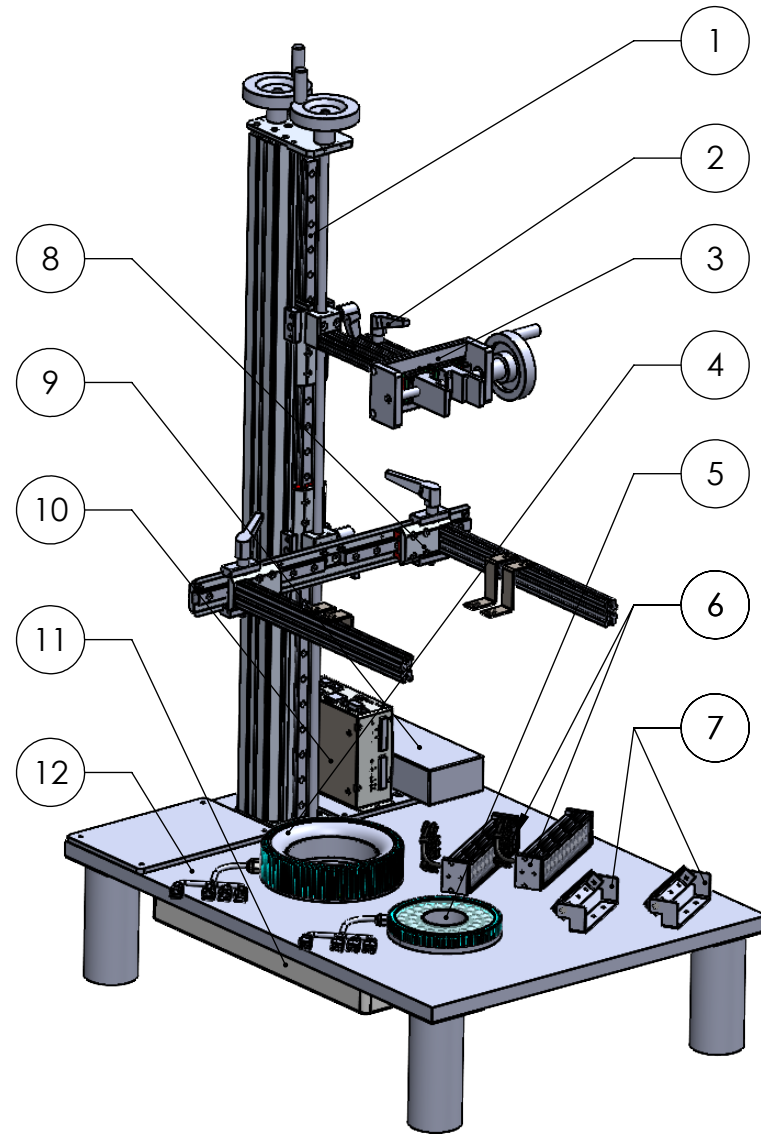


ITEM NO.	PART NUMBER
1	VT-4SIDE-670-INNER-ADJUSTMENT-SLIDER
2	EB-80&85
3	PTS-UCM-V3
4	HPD2-00-130-1-RGBW-24V
5	LSW2-00-100-2-RGBW-24V
6	MLBX2-00-120-2-RGBW-24V
7	ROTATE BRACKET BARLIGHT
8	CM-328-SLIDER-COMBINE BRACKET
9	24V POWER SUPPLY
10	LC-18-4CH-RGBW-A1
11	Extension Plug
12	WHITE BASE PLATE (400MMX540MMX15MM)



DESIGN BY	KANG	UNIT:	PRODUCT SERIES: PTS3 SERIES	
CHECK BY	KANG	MM		
DATE	15/11/2022	REVISION:		
MATERIAL	-	01	TITLE	EXPLODED LAYOUT
FINISHING	-	SCALE:	PART NO	PTS3-V-U-AJM-UCM-LW-HP-ML-RGBW-LC-18
QTY	-	1:7	DWG NO	-
			SHEET 1 OF 1	



1 2 3 4 5 6 7 8

D

C

B

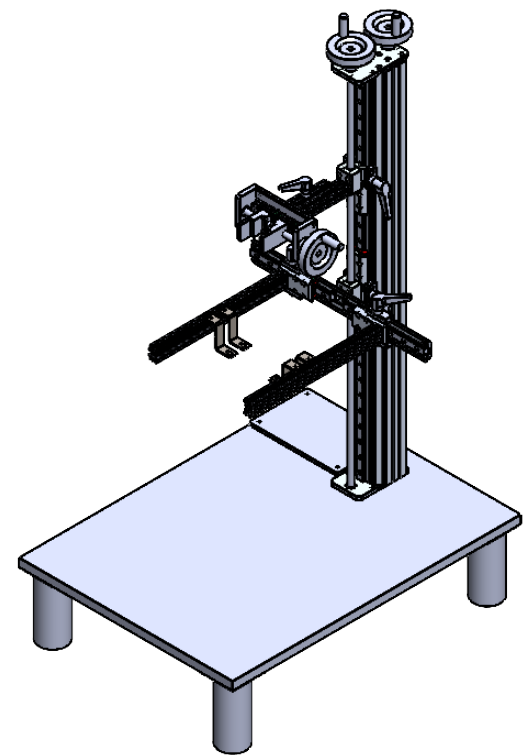
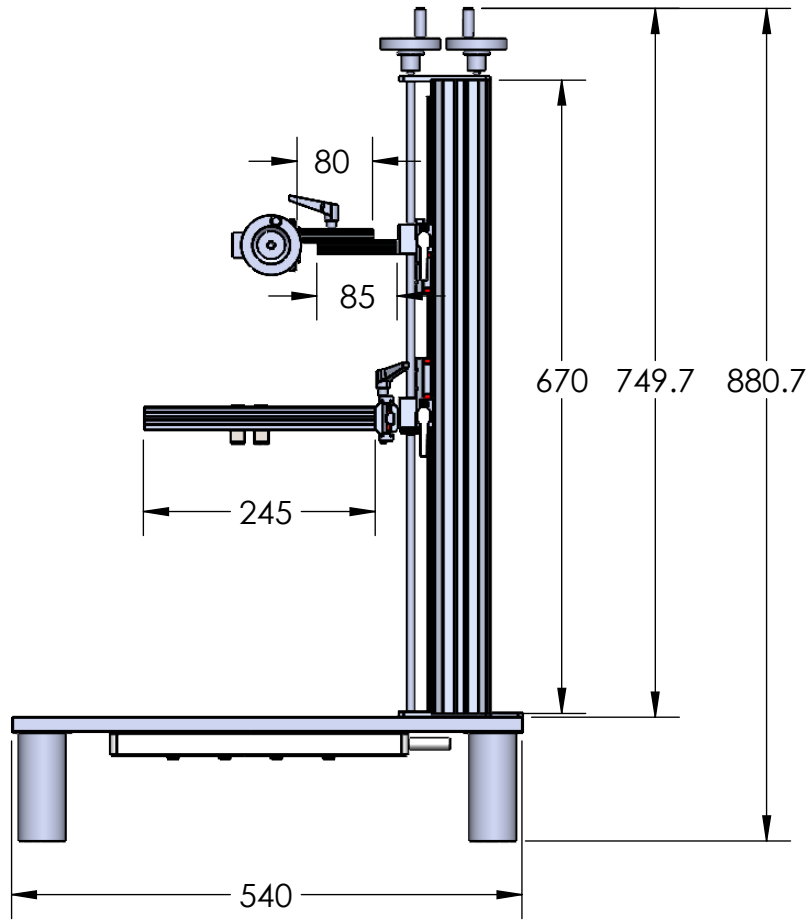
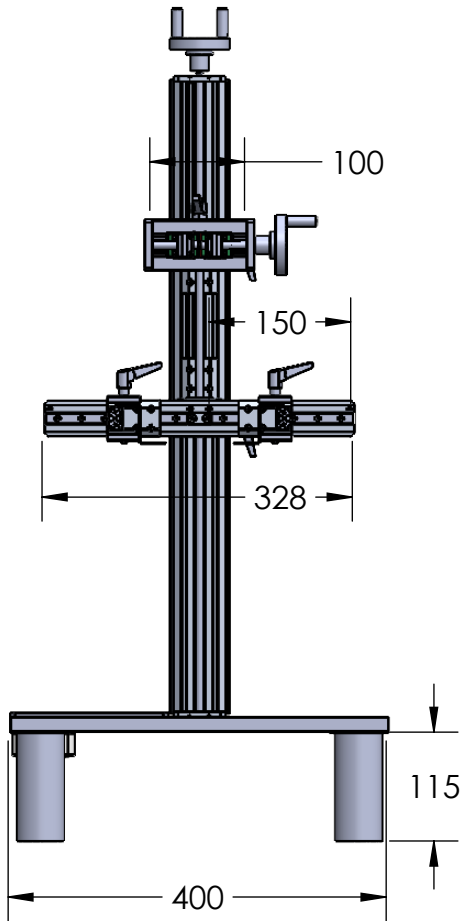
A

D

C

B

A



DESIGN BY	KANG	UNIT: MM	PRODUCT SERIES: PTS3 SERIES	
CHECK BY	KANG			
DATE	26/10/2022	REVISION: 01	TITLE	DRAWING LAYOUT
MATERIAL	-	SCALE: 1:1	PART NO	PTS3-V-U-AJM-UCM
FINISHING	-		DWG NO	-
QTY	-			SHEET 1 OF 1

1 2 3 4 5 6 7 8