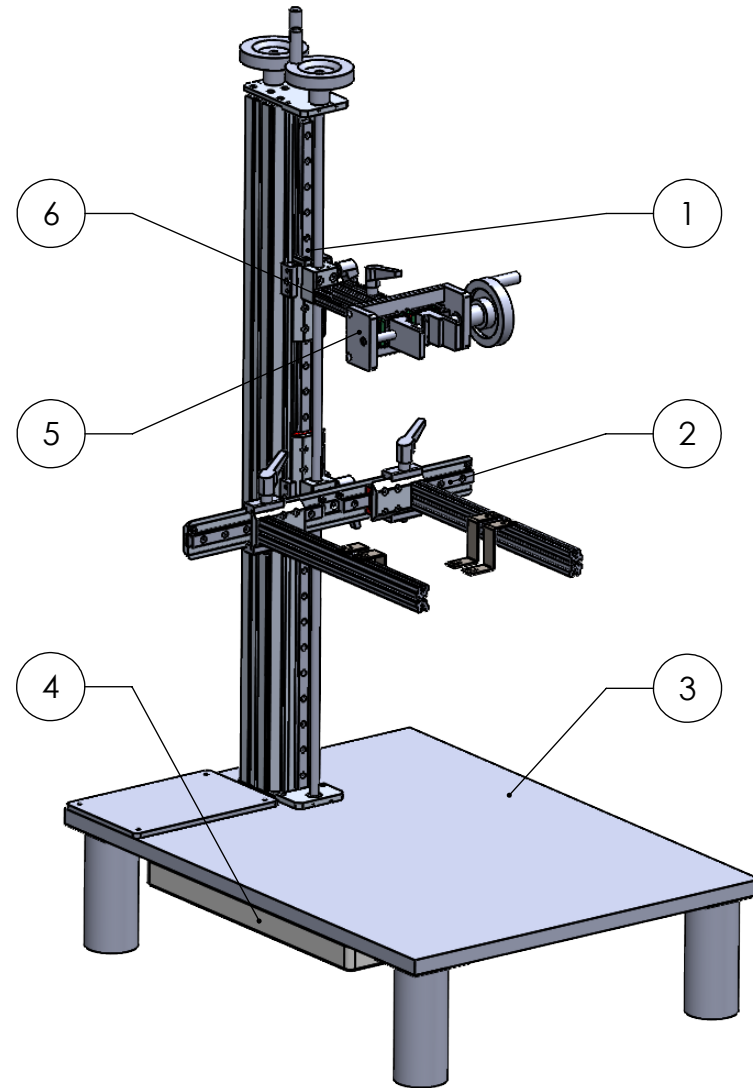


1	2	3	4	5	6	7	8
ITEM NO.	PART NUMBER						
1	VT-4SIDE-670-INNER-ADJUSTMENT-SLIDER						
2	CM-328-SLIDER-COMBINE BRACKET						
3	WHITE BASE PLATE						
4	EXTENSION PLUG						
5	PTS-UCM-V3						
6	M6-80-85						



DESIGN BY	KANG	UNIT:	MM	
CHECK BY	KANG	REVISION:	01	
DATE	26/10/2022	SCALE:	1 : 1	
MATERIAL	-	TITLE	EXPLODED LAYOUT	
FINISHING	-	PART NO	PTS3-V-U-AJM-UCM	
QTY	-	DWG NO	-	SHEET 1 OF 1



1 2 3 4 5 6 7 8

D

C

B

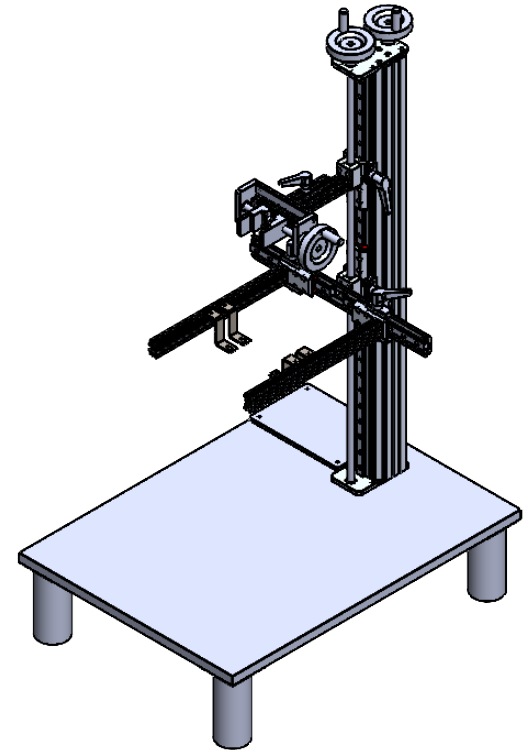
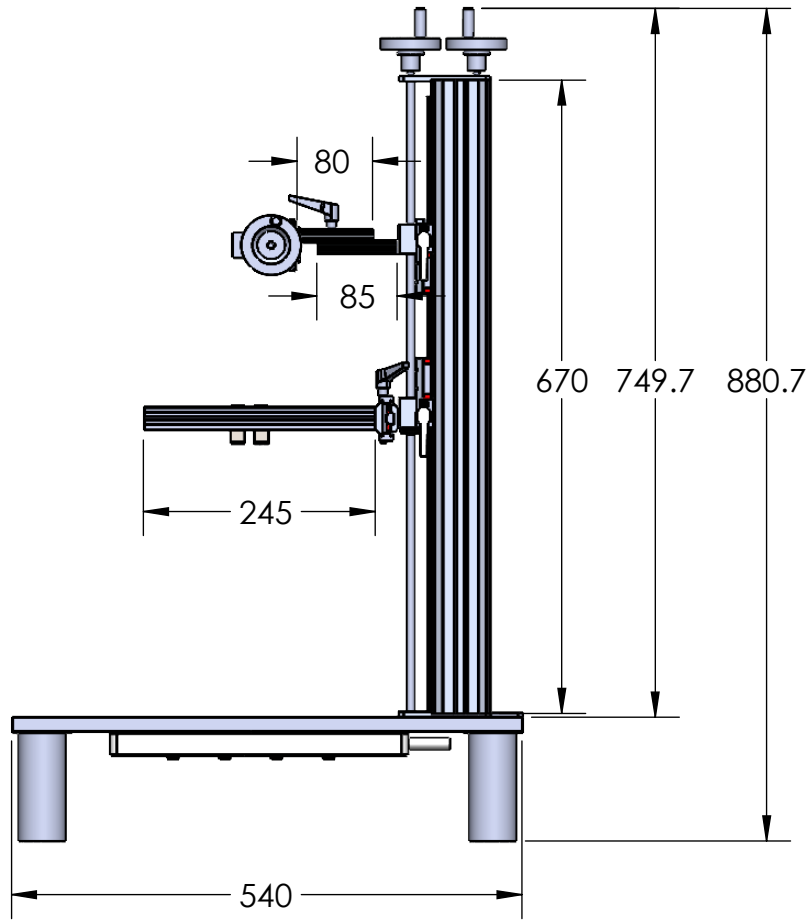
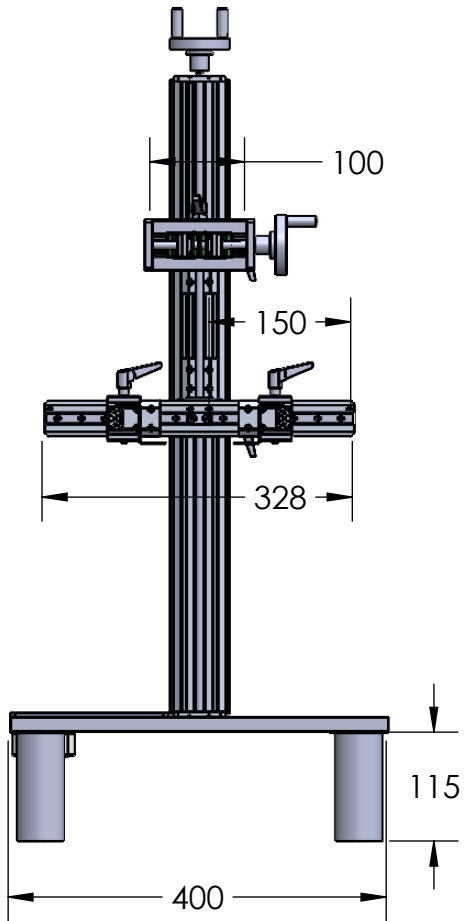
A

D

C

B

A



DESIGN BY	KANG	UNIT: MM	PRODUCT SERIES: PTS3 SERIES	
CHECK BY	KANG			
DATE	26/10/2022	REVISION: 01	TITLE	DRAWING LAYOUT
MATERIAL	-	SCALE: 1:1	PART NO	PTS3-V-U-AJM-UCM
FINISHING	-		DWG NO	-
QTY	-			SHEET 1 OF 1

1 2 3 4 5 6 7 8