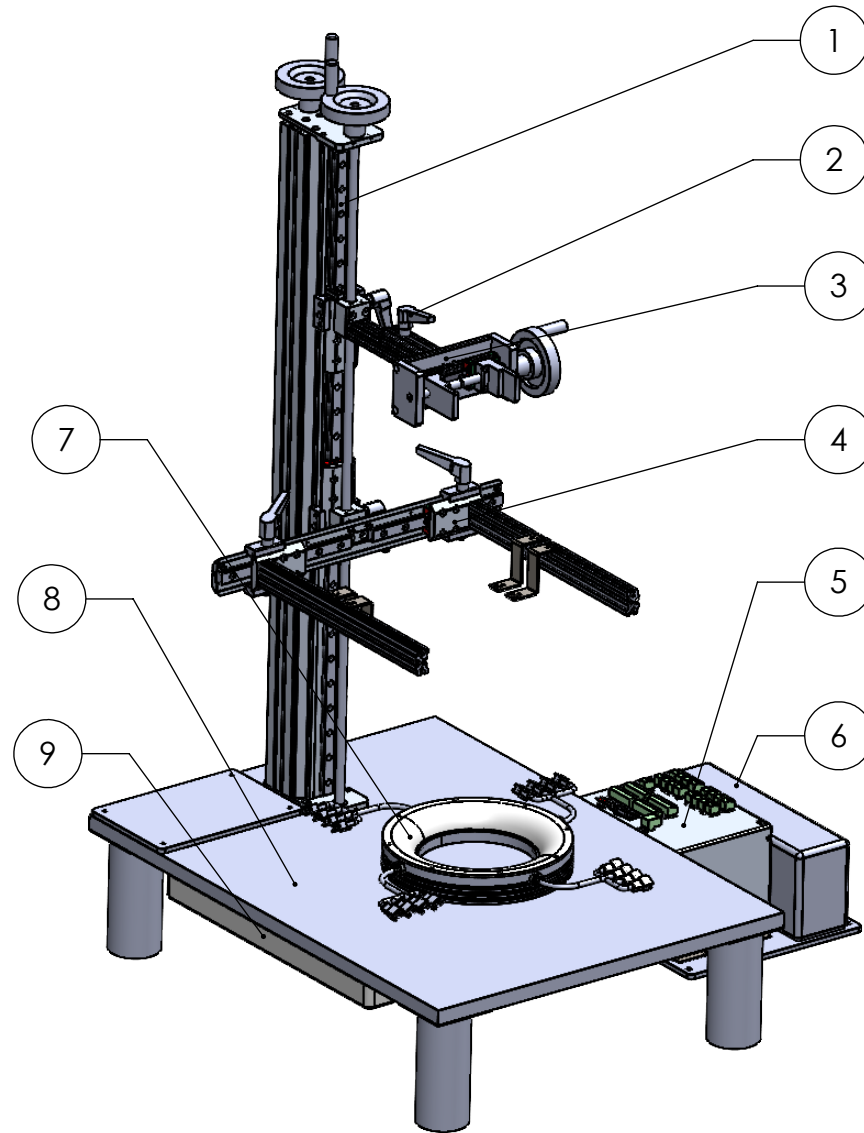


1	2	3	4	5	6	7	8
ITEM NO.	PART NUMBER						
1	VT-4SIDE-670-INNER-ADJUSTMENT-SLIDER						
2	M6-80&85						
3	PTS-UCM-V3						
4	CM-328-SLIDER-COMBINE BRACKET						
5	LC-20-SQ-16CH-A1						
6	24V POWER SUPPLY						
7	LC-20-SQ-16CH-A1						
8	White Base Plate (400X540X15MM)						
9	Extension Plug						



DESIGN BY	KANG	UNIT:	MM		PRODUCT SERIES: PTS3 SERIES		
CHECK BY	KANG	REVISION:	01		TITLE	EXPLODED LAYOUT	
DATE	15/11/2022	SCALE:	1 : 7		PART NO	PTS3-V-U-AJM-UCM-HPD-RGBW-16CH-LC-20	
MATERIAL	-	DWG NO	-		SHEET 1 OF 1		
FINISHING	-						
QTY	-						



1 2 3 4 5 6 7 8

D

C

B

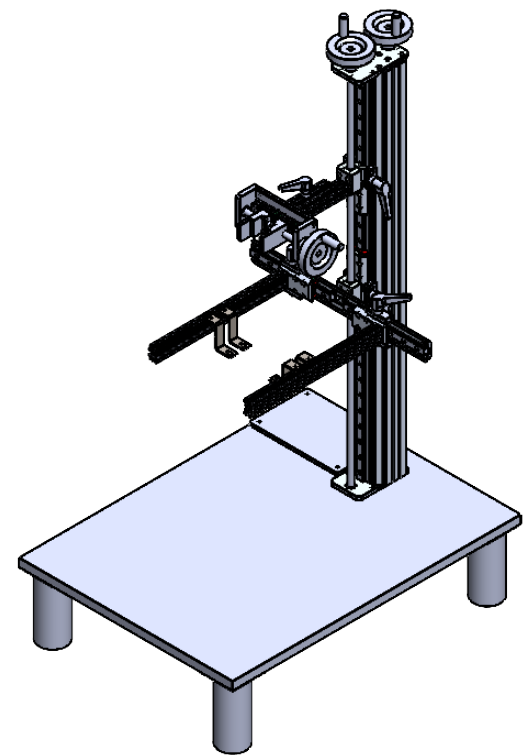
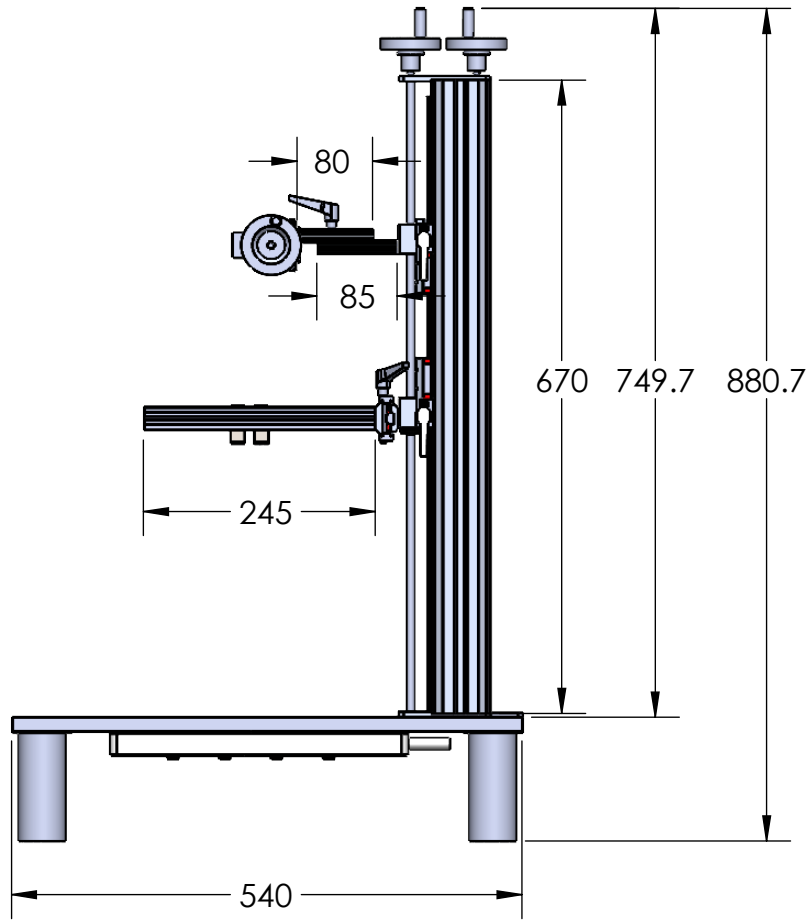
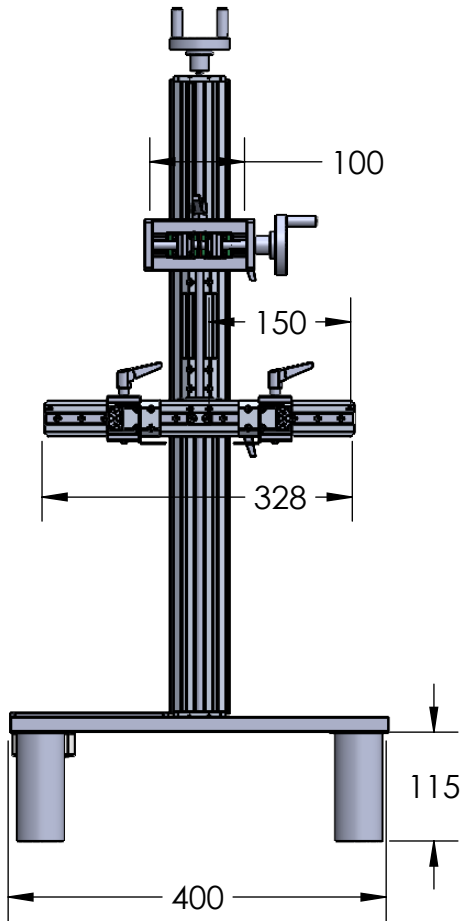
A

D

C

B

A



DESIGN BY	KANG	UNIT: MM	PRODUCT SERIES: PTS3 SERIES	
CHECK BY	KANG			
DATE	26/10/2022	REVISION: 01	TITLE	DRAWING LAYOUT
MATERIAL	-	SCALE: 1:1	PART NO	PTS3-V-U-AJM-UCM
FINISHING	-		DWG NO	-
QTY	-			SHEET 1 OF 1

1 2 3 4 5 6 7 8