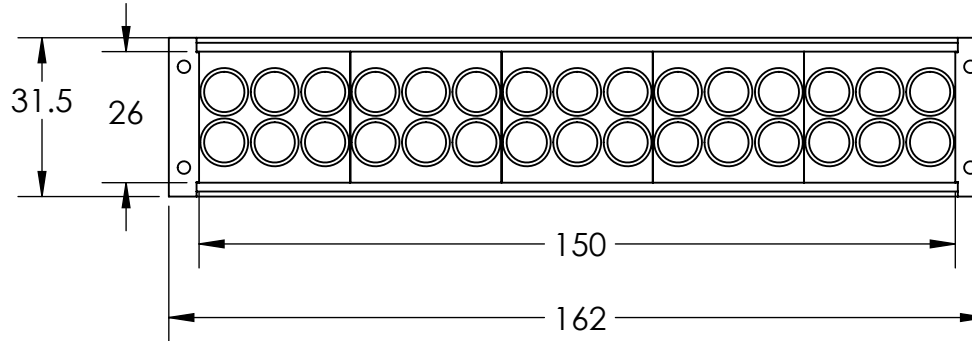
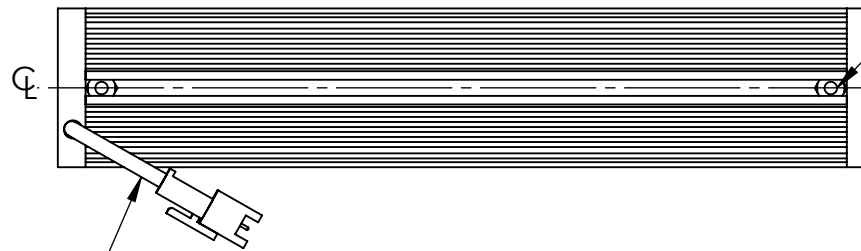
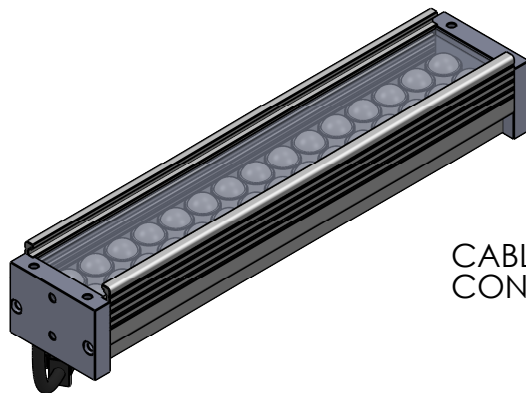
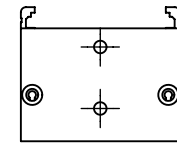
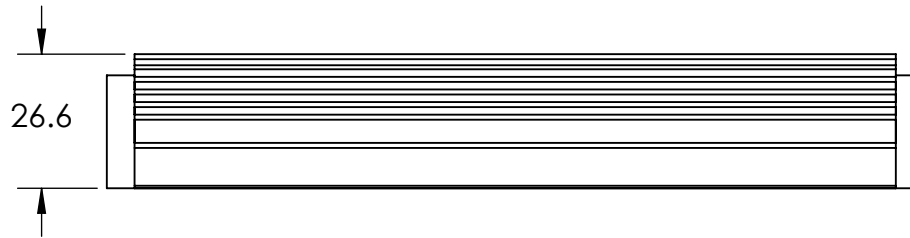
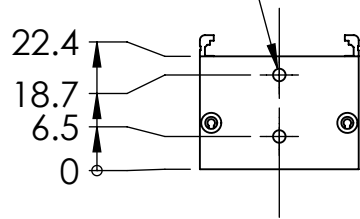


1 2 3 4 5 6 7 8

REVISIONS			
REV.	DESCRIPTIONS	EDIT BY	DATE:(d/m/y)



2X TAP M3X0.5 - ∇ 4
NOT THRU
(BOTH SIDES)



2X M3 ADJUSTABLE NUT

CABLE & CONNECTOR

DESIGN BY	FIRDAUS	UNIT: MM	PRODUCT SERIES: MLBX2 SERIES	
CHECK BY	NIZAM	$\oplus \ominus$ SIZE A4	TITLE	DRAWING LAYOUT
DATE	2/6/2022	REVISION:	PART NO	MLBX2-00-150-2-X-24V
MATERIAL	-	01	DWG NO	-
FINISHING	-	SCALE:	GEN. TOLERANCES	
QTY	-	1:1	X	± 0.15
			X.X	± 0.1
			X.XX	± 0.05
			SHEET 1 OF 1	



1 2 3 4 5 6 7 8