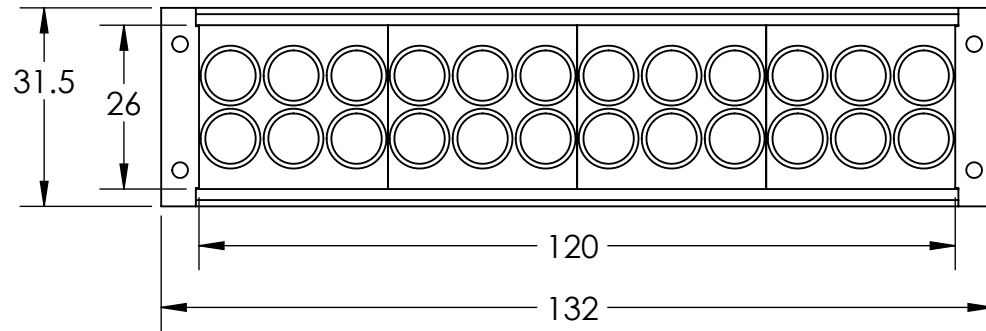
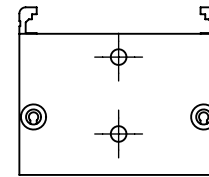
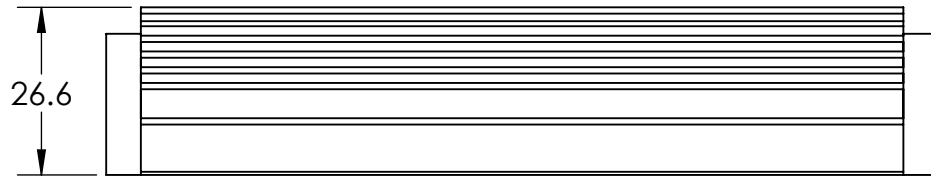
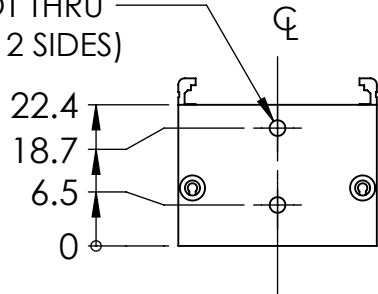


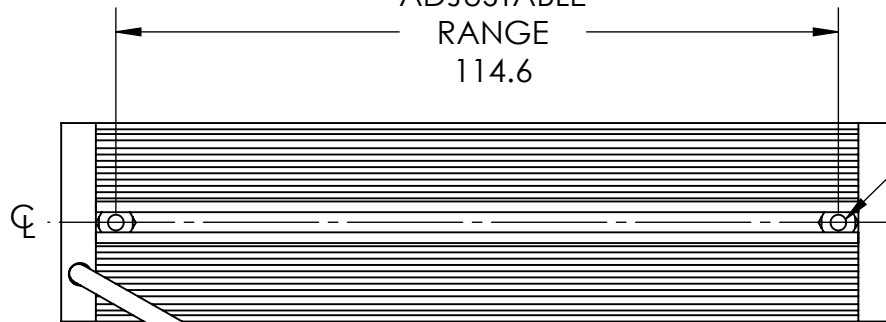
REVISIONS			
REV.	DESCRIPTIONS	EDIT BY	DATE:(d/m/y)



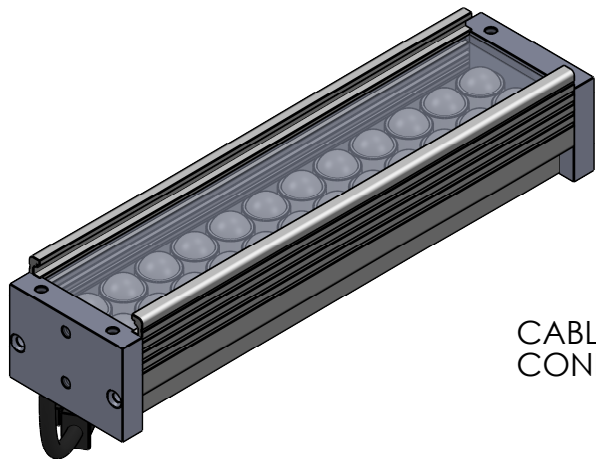
2X TAP M3X0.5 - ∇ 4
NOT THRU
(ON 2 SIDES)



ADJUSTABLE
RANGE
114.6



2X M3 ADJUSTABLE NUT



CABLE & CONNECTOR

DESIGN BY	FIRDAUS	UNIT: MM	PRODUCT SERIES: MLBX2 SERIES	
CHECK BY	NIZAM	∇ ∇ SIZE A4	TITLE	
DATE	2/6/2022	REVISION:	PART NO	DRAWING LAYOUT
MATERIAL	-	01	DWG NO	MLBX2-00-120-2-X-24V
FINISHING	-	SCALE:	GEN. TOLERANCES	
QTY	-	1:1	X \pm 0.15	
			X.X \pm 0.1	
			X.XX \pm 0.05	
			SHEET 1 OF 1	

