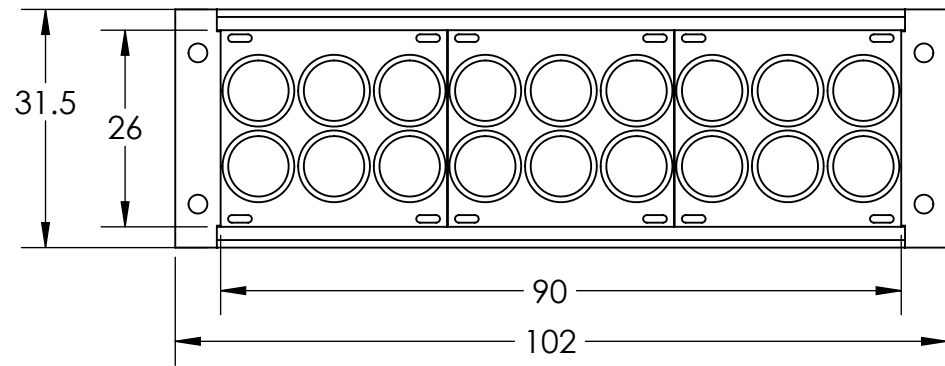
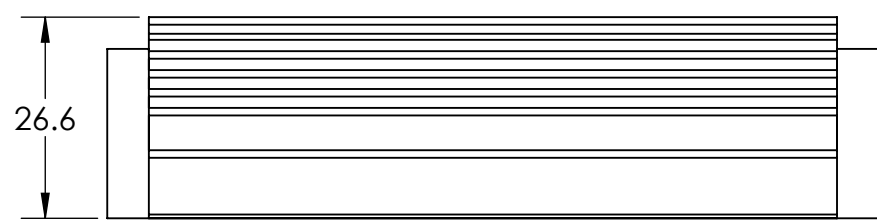
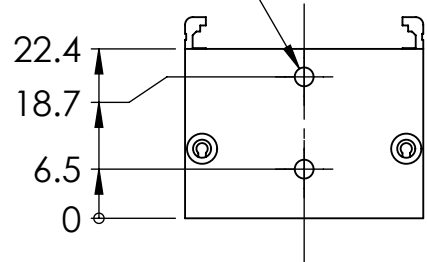


1 2 3 4 5 6 7 8

REVISIONS			
REV.	DESCRIPTIONS	EDIT BY	DATE:(d/m/y)



2X TAP M3X0.5 -  $\nabla$  4  
NOT THRU  
(ON 2 SIDES)

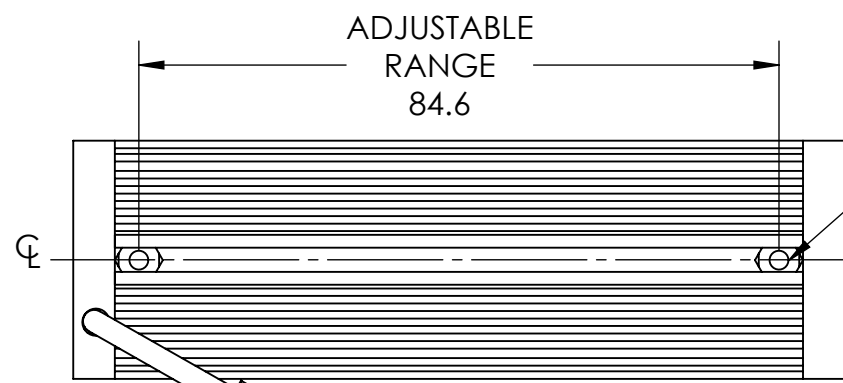
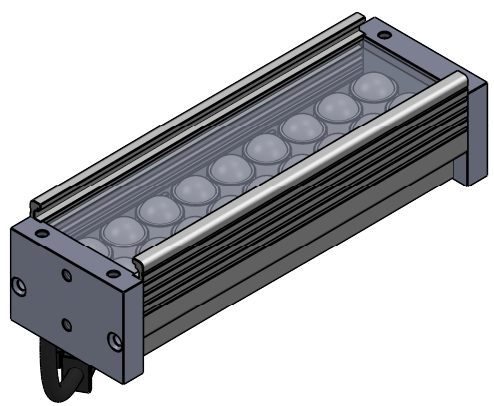


C

C

B

B



2X M3 ADJUSTABLE NUT

CABLE & CONNECTOR

A

A



DESIGN BY	FIRDAUS	UNIT: MM	PRODUCT SERIES: MLBX2 SERIES	
CHECK BY	NIZAM	SIZE A4		
DATE	2/6/2022	REVISION:	TITLE	
MATERIAL	-	01	PART NO	DRAWING LAYOUT
FINISHING	-	SCALE:	DWG NO	MLBX2-00-090-2-X-24V
QTY	-	1:1	-	
			GEN. TOLERANCES	
			X	±0.15
			X.X	±0.1
			X.XX	±0.05
			SHEET 1 OF 1	

1 2 3 4 5 6 7 8