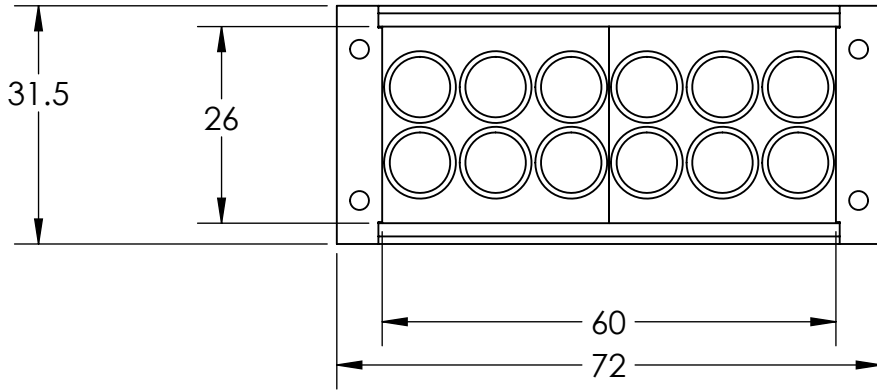
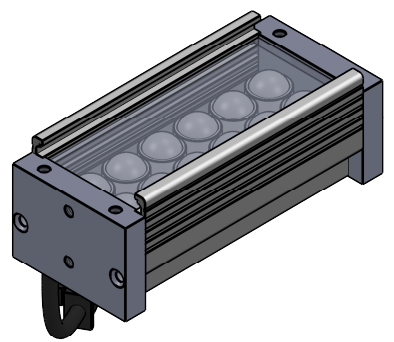
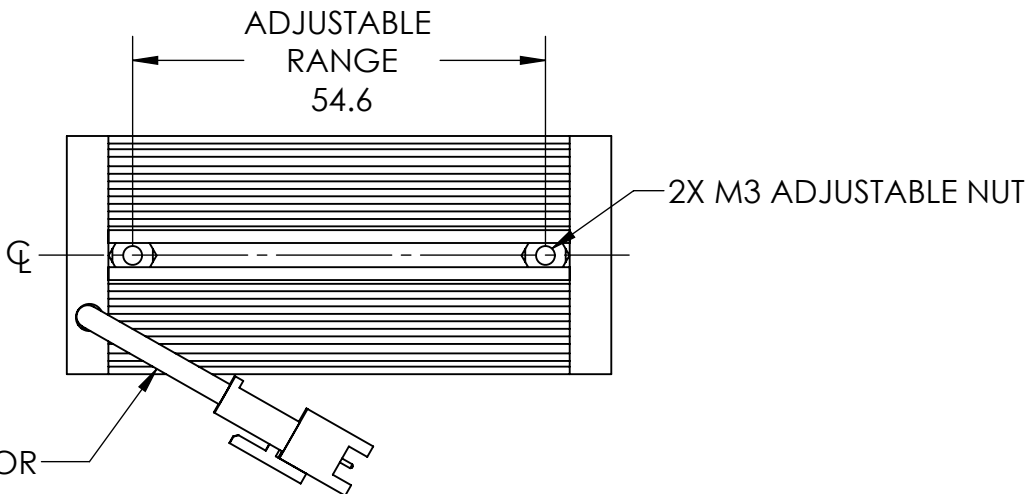
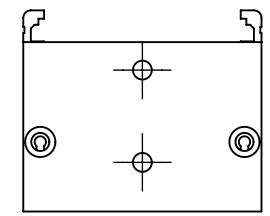
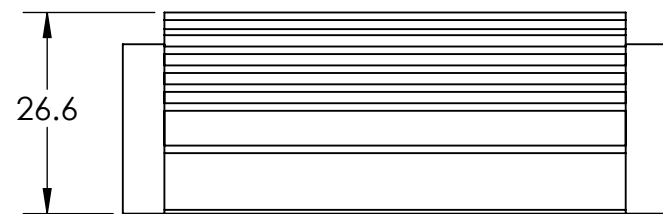
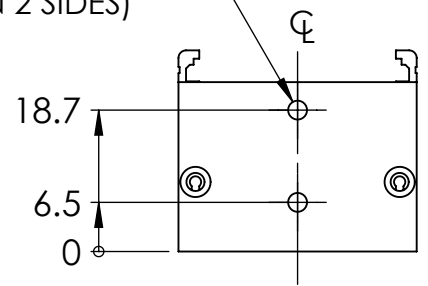


REVISIONS			
REV.	DESCRIPTIONS	EDIT BY	DATE:(d/m/y)



2X TAP M3X0.5 - ∇ 4
NOT THRU
(ON 2 SIDES)



DESIGN BY	FIRDAUS	UNIT: MM	PRODUCT SERIES: MLBX2 SERIES	
CHECK BY	NIZAM	\oplus \ominus SIZE A4		
DATE	2/6/2022	REVISION:	TITLE	DRAWING LAYOUT
MATERIAL	-	01	PART NO	MLBX2-00-060-2-X-24V
FINISHING	-	SCALE:	DWG NO	-
QTY	-	1:1	GEN. TOLERANCES	
			X	± 0.15
			X.X	± 0.1
			X.XX	± 0.05
			SHEET 1 OF 1	