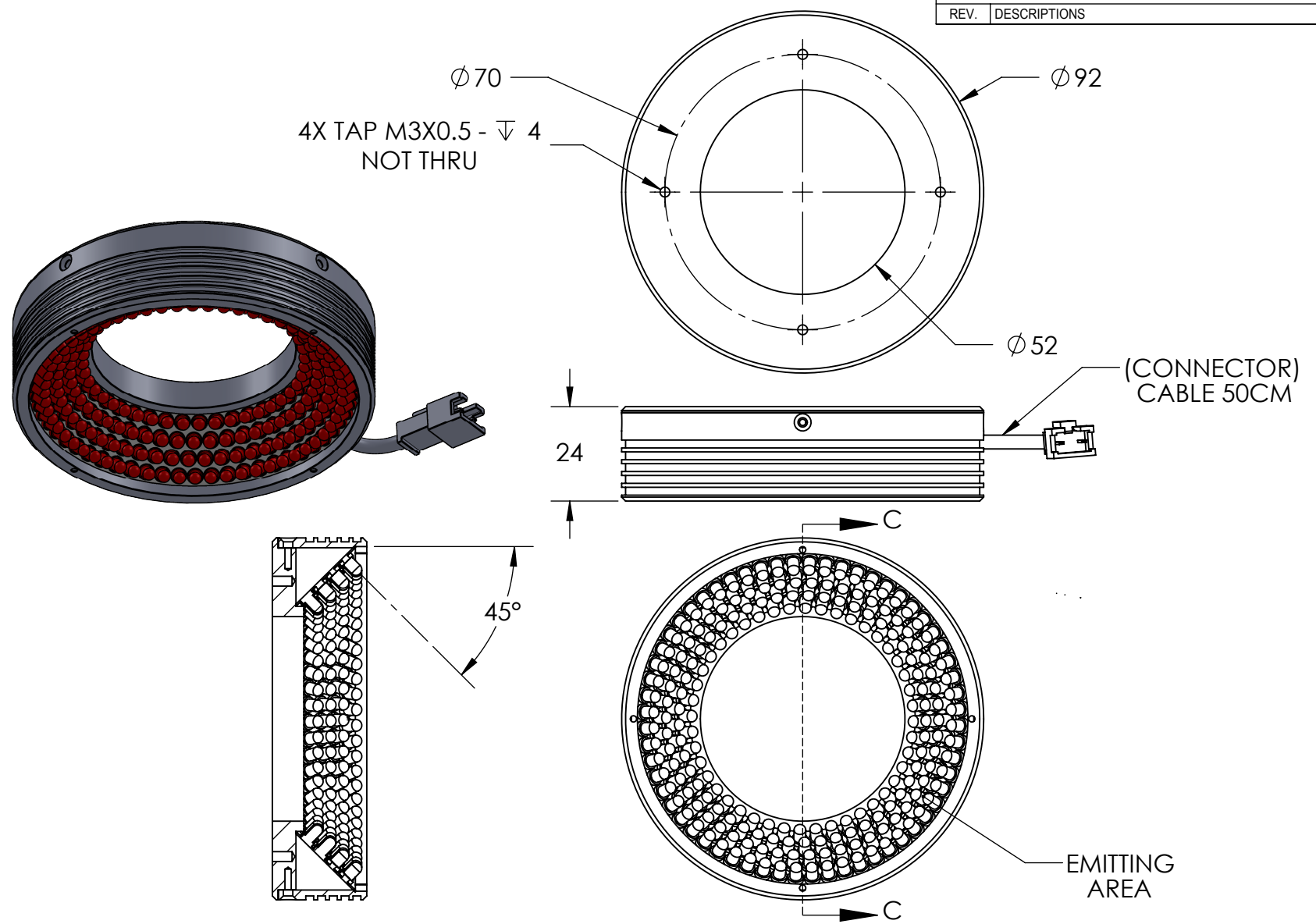


REVISIONS			
REV.	DESCRIPTIONS	EDIT BY	DATE:(d/m/y)



SECTION C-C
SCALE 1 : 1.5



DESIGN BY	FIRDAUS	UNIT: MM	PRODUCT SERIES: LSW SERIES	
CHECK BY	NIZAM	\oplus \ominus SIZE A4		
DATE	25/5/2022	REVISION:	TITLE	DRAWING LAYOUT
MATERIAL	-	01	PART NO	LSW-45-100-4-X-24V
FINISHING	-	SCALE:	DWG NO	-
QTY	-	1:1	GEN. TOLERANCES	
SHEET 1 OF 1				