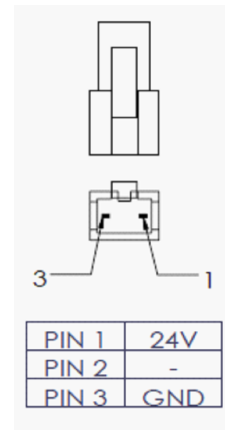
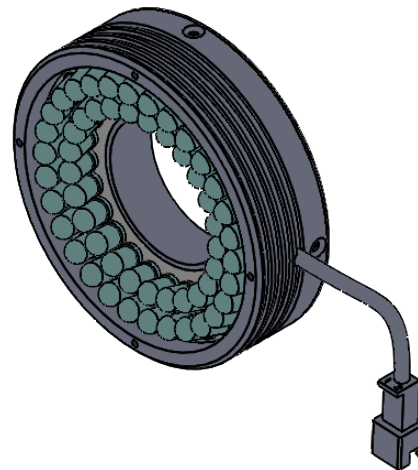
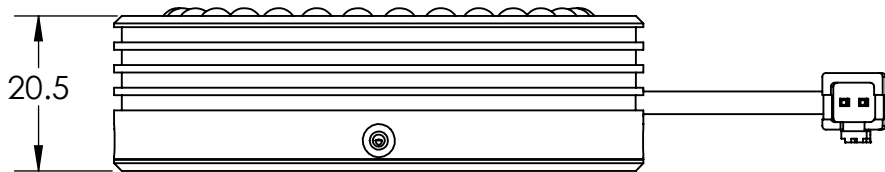


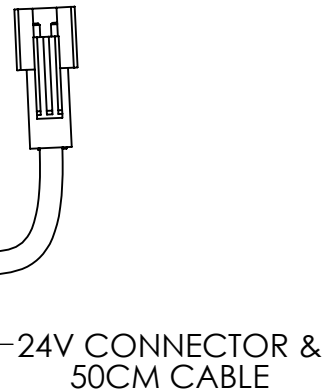
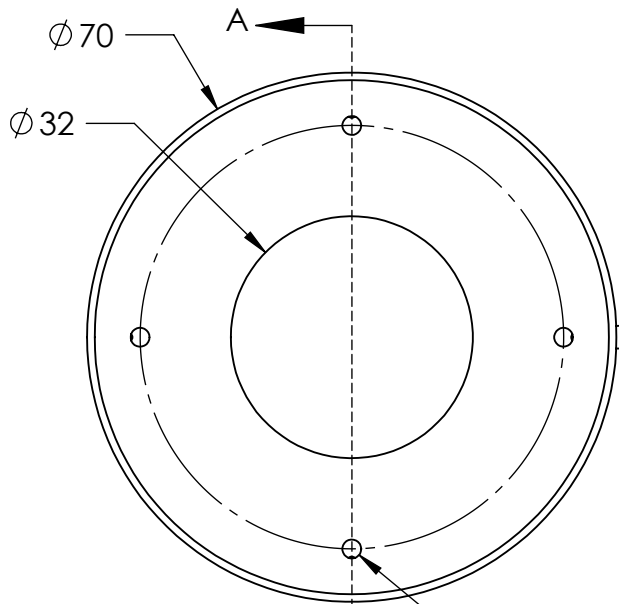
1 2 3 4 5 6 7 8

D

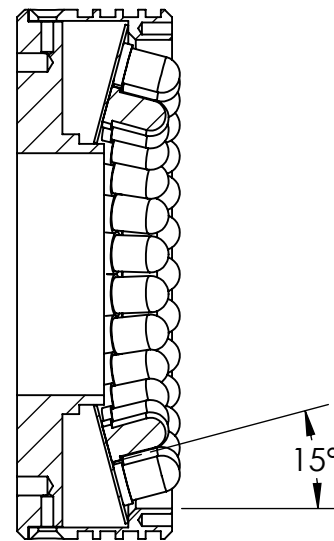


CONNECTOR

C



24V CONNECTOR & 50CM CABLE



LED-NI-5M-11	
COLOR	WAVELENGTH TOLERANCES
WHITE:	X:0.296, 0.287, 0.307, 0.311 Y:0.276, 0.295, 0.315, 0.294
RED:	N/A
GREEN:	520-535nm
BLUE:	460-470nm
IR 850:	N/A
IR 940:	N/A
UV:	375nm
RGB:	N/A
RGBW:	N/A

WAVELENGTH

ESTIMATE POWER RATING:	
VOLTAGE	24V
CURRENT	180MA
POWER	4.32W
WEIGHT	103G

4- TAP M3 ∇ 4 N.S. AT ϕ 56 PCD

B

A



DESIGN BY	NIZAM	UNIT: MM
CHECK BY	KB TAN	$\oplus \ominus$ SIZE A4
DATE	4/1/2021	REVISION:
MATERIAL	-	01
FINISHING	-	SCALE:
QTY	-	1:1

PRODUCT SERIES: LSW SERIES

TITLE	DRAWING LAYOUT	GEN. TOLERANCES X \pm 0.15 X.X \pm 0.1 X.XX \pm 0.05 SHEET 1 OF 1
PART NO	LSW-15-070-2-UV375-24V	
DWG NO	-	

1 2 3 4 5 6 7 8