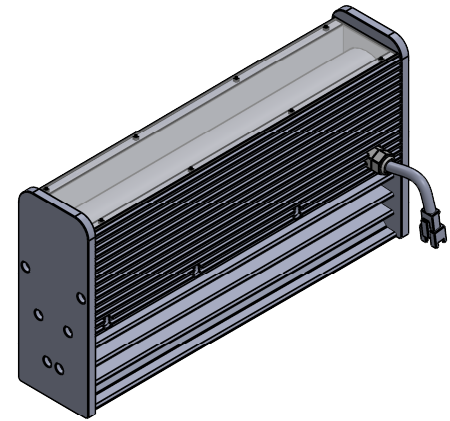
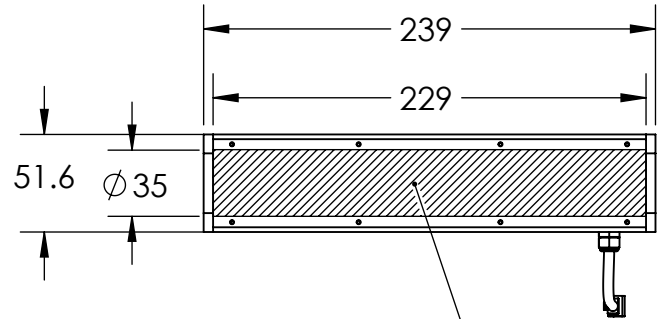
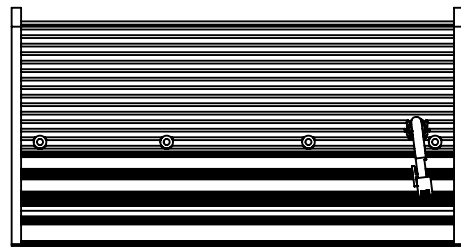
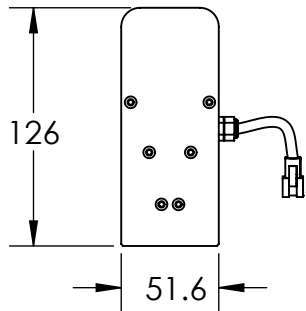


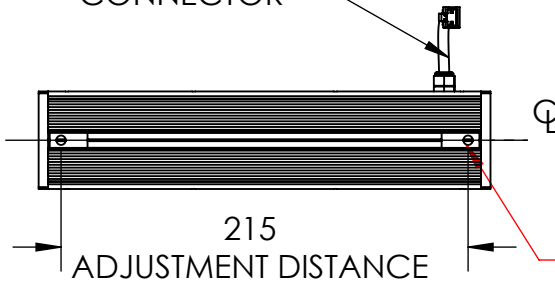
REVISIONS			
REV.	DESCRIPTIONS	EDIT BY	DATE:(d/m/y)



EMITTING AREA



CABLE & CONNECTOR



215
ADJUSTMENT DISTANCE

2X INSERT NUT M6



DESIGN BY	FIRDAUS	UNIT: MM
CHECK BY	NIZAM	SIZE A4
DATE	9/6/2022	REVISION:
MATERIAL	-	01
FINISHING	-	SCALE:
QTY	-	1:1

PRODUCT SERIES: LSN6 SERIES

TITLE	DRAWING LAYOUT	GEN. TOLERANCES
PART NO	LSN6-00-225-1-X-24V	X ±0.15
DWG NO	-	X.X ±0.1
		X.XX ±0.05
		SHEET 1 OF 1