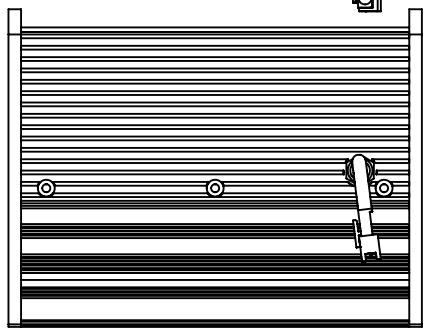
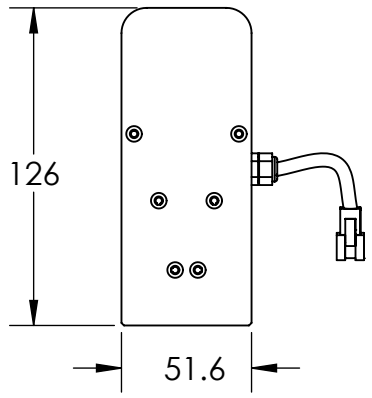
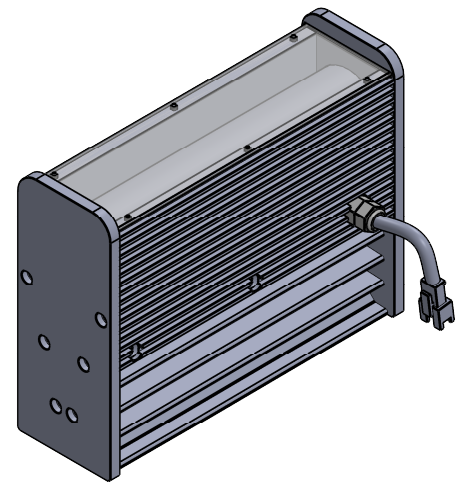
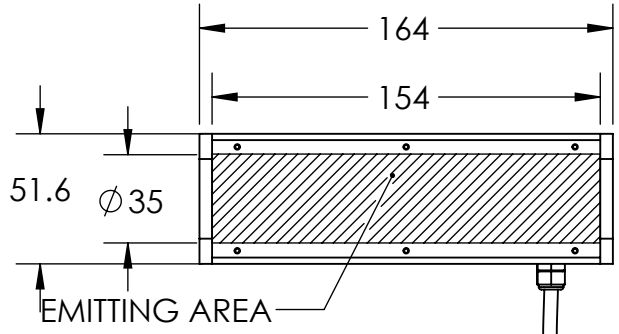
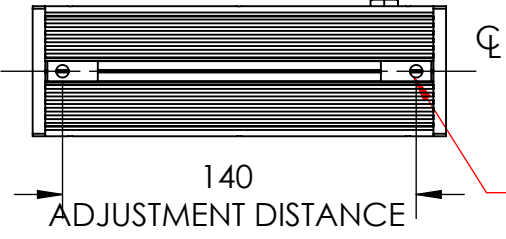


REVISIONS			
REV.	DESCRIPTIONS	EDIT BY	DATE:(d/m/y)



CABLE & CONNECTOR



DESIGN BY	FIRDAUS	UNIT: MM	PRODUCT SERIES: LSN6 SERIES	
CHECK BY	NIZAM	ϕ \square SIZE A4		
DATE	9/6/2022	REVISION:	TITLE	DRAWING LAYOUT
MATERIAL	-	01	PART NO	LSN6-00-150-1-X-24V
FINISHING	-	SCALE:	DWG NO	-
QTY	-	1:1	GEN. TOLERANCES	
SHEET 1 OF 1				