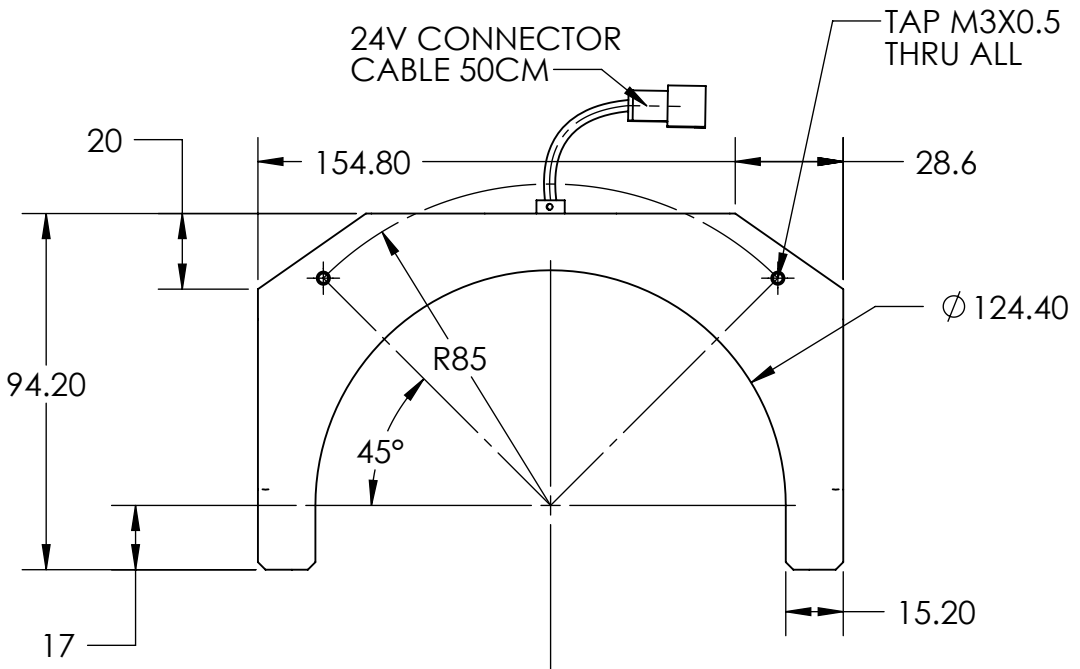
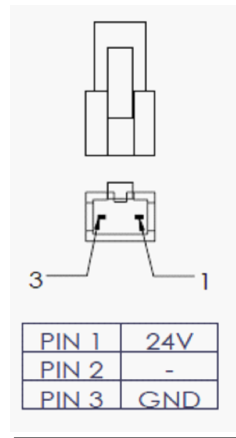
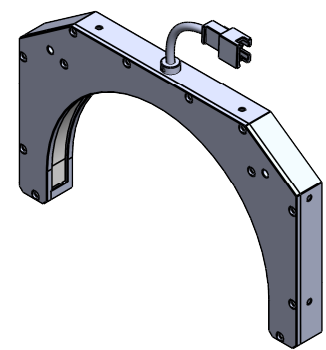
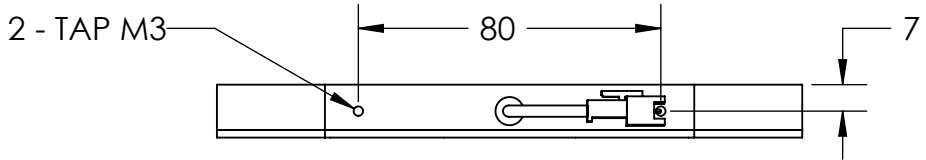
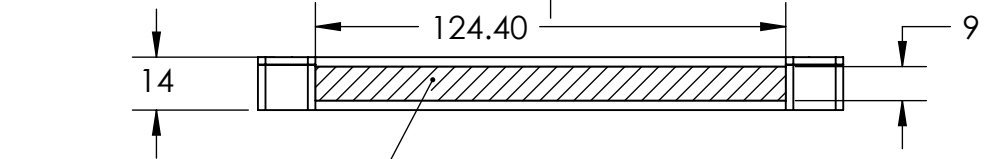
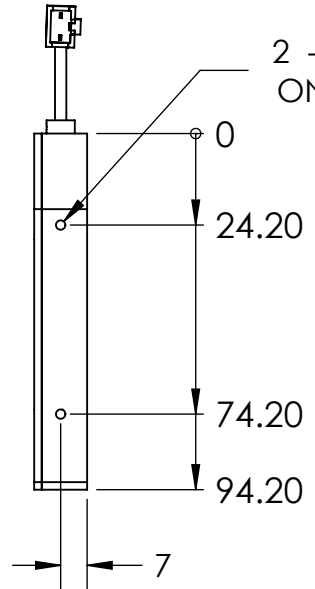


REVISIONS		EDIT BY	DATE:(d/m/y)
REV.			



2 - TAP M3, ON 2 SIDES



EMITTING AREA

LED-NI-3M-01	
COLOR	WAVELENGTH TOLERANCES
WHITE:	X: 0.330, 0.330, 0.361, 0.356 Y: 0.318, 0.360, 0.385, 0.351
RED:	620-630nm
GREEN:	525-535nm
BLUE:	460-470nm
IR 850:	850-860nm
IR 940:	940nm
UV:	N/A
RGB:	N/A
RGBW:	N/A

ESTIMATE POWER RATING:	
VOLTAGE	24V
CURRENT	105mA
POWER	2.52W
WEIGHT	210g

DESIGN BY	FIRDAUS	UNIT: MM
CHECK BY	NIZAM	SIZE A4
DATE	23/5/2022	REVISION:
MATERIAL	-	01
FINISHING	-	SCALE:
QTY	-	1:1

PRODUCT SERIES: LLAC SERIES		
TITLE	DRAWING LAYOUT	GEN. TOLERANCES
PART NO	LLAC-90-70-1-X-24V	X ±0.15
DWG NO	-	X.X ±0.1
		X.XX ±0.05
		SHEET 1 OF 1

