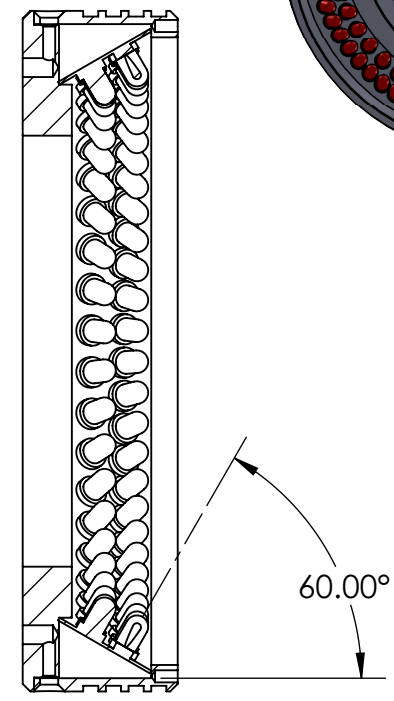
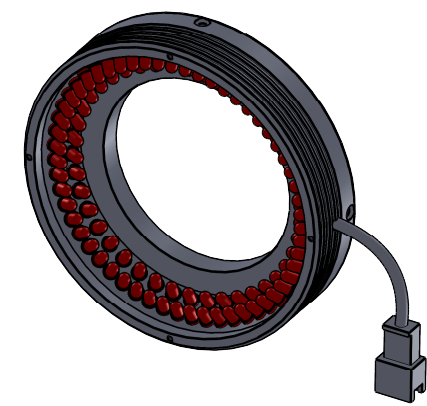
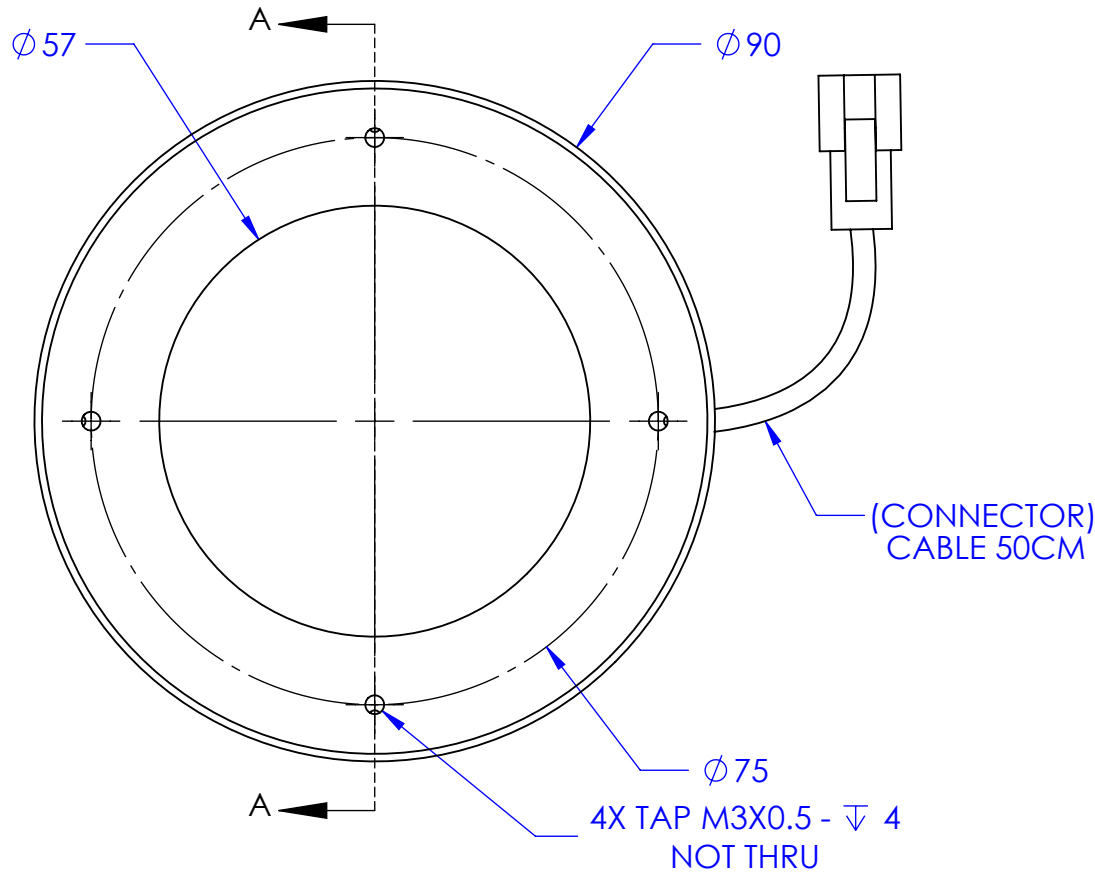
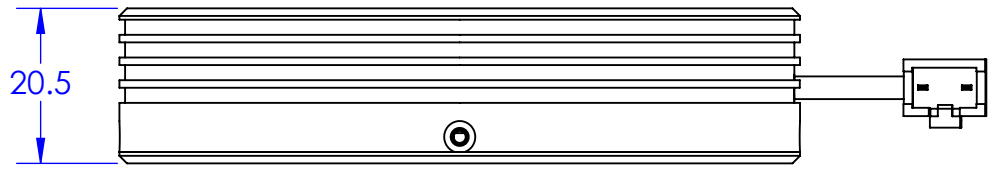


REVISIONS			
REV.	DESCRIPTIONS	EDIT BY	DATE:(d/m/y)



SECTION A-A
SCALE 1 : 1

DESIGN BY	FIRDAUS	UNIT: MM	PRODUCT SERIES: LLA SERIES	
CHECK BY	NIZAM	SIZE A4		
DATE	25/5/2022	REVISION:	TITLE	DRAWING LAYOUT
MATERIAL	-	01	PART NO	LLA-60-90-2-X-24V
FINISHING	-	SCALE:	DWG NO	-
QTY	-	1:1	GEN. TOLERANCES	
			X ±0.15	
			X.X ±0.1	
			X.XX ±0.05	
			SHEET 1 OF 1	