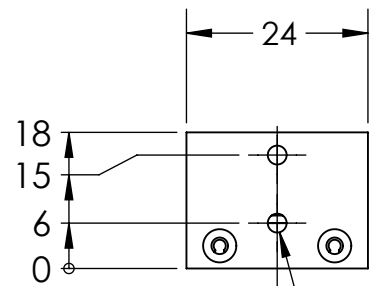
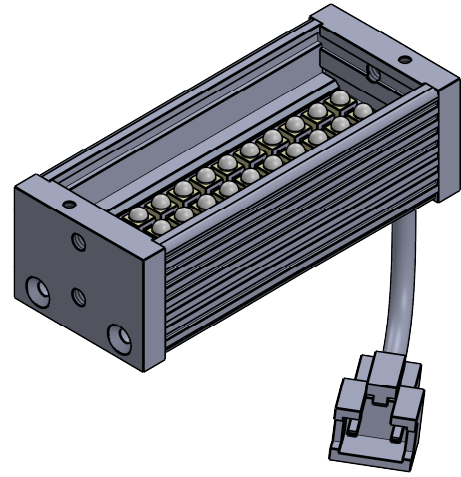
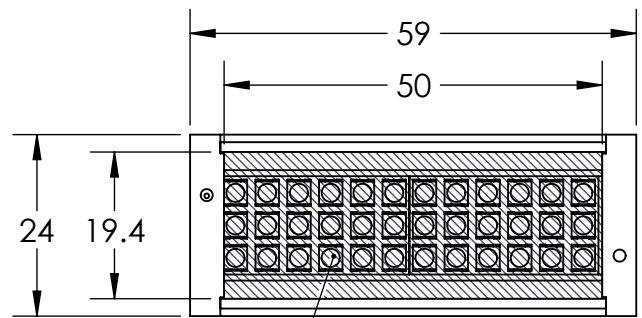
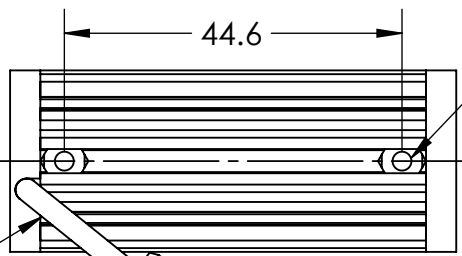
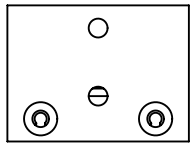
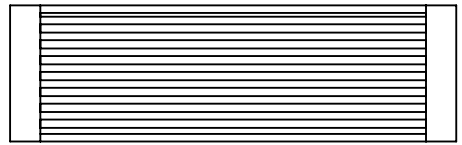


REV.		DESCRIPTIONS	EDIT BY	DATE:(d/m/y)



EMITTING AREA

2X TAP M3X0.5
 ∇ 4
 (2SIDES)



2X M3 ADJUSTABLE NUT

24V CONNECTOR
 50CM CABLE



DESIGN BY	FIRDAUS	UNIT: MM
CHECK BY	NIZAM	\oplus \ominus SIZE A4
DATE	2/6/2022	REVISION:
MATERIAL	-	01
FINISHING	-	SCALE:
QTY	-	1:1

PRODUCT SERIES: LBS SERIES		GEN. TOLERANCES	
TITLE	DRAWING LAYOUT	X	± 0.15
PART NO	LBS25-00-050-3-X-24V	X.X	± 0.1
DWG NO	-	X.XX	± 0.05
		SHEET 1 OF 1	