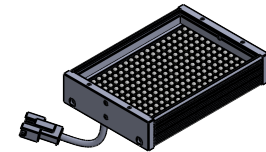
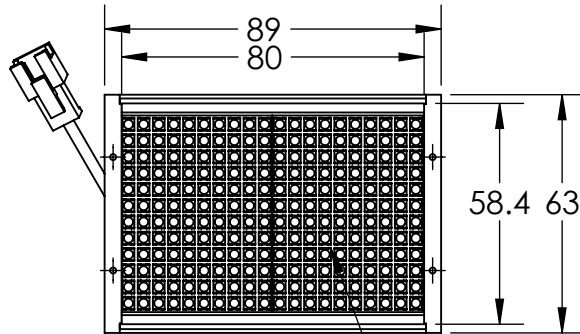
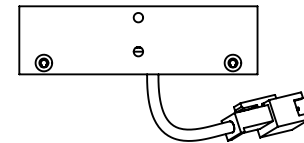
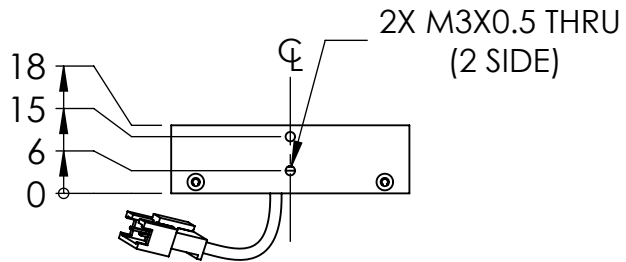


1 2 3 4 5 6 7 8

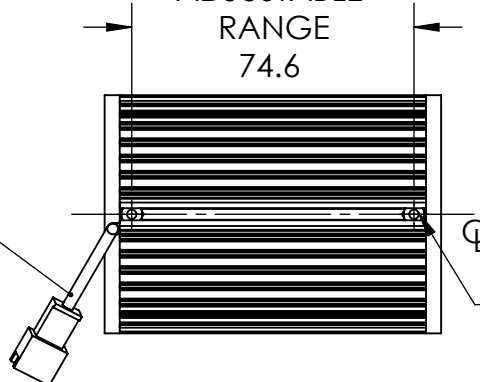
REVISIONS			
REV.	DESCRIPTIONS	EDIT BY	DATE:(d/m/y)



EMITTING AREA



ADJUSTABLE RANGE 74.6



24V CONNECTOR 50CM CABLE

2X M3 ADJUSTABLE NUT

DESIGN BY	FIRDAUS	UNIT: MM	PRODUCT SERIES: LBRX SERIES	
CHECK BY	NIZAM	⌀ ±0.15	TITLE	
DATE	23/5/2022	±0.1	PART NO	DRAWING LAYOUT
MATERIAL	-	REVISION: 01	DWG NO	LBRX-00-080-12-X-24V
FINISHING	-	SCALE: 1:1	GEN. TOLERANCES	
QTY	-		X ±0.15	
			X.X ±0.1	
			X.XX ±0.05	
			SHEET 1 OF 1	



1 2 3 4 5 6 7 8