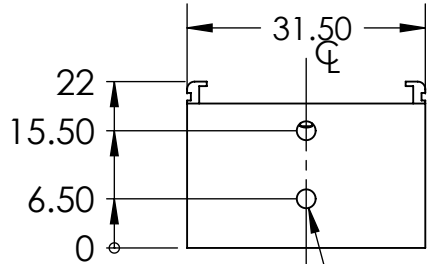
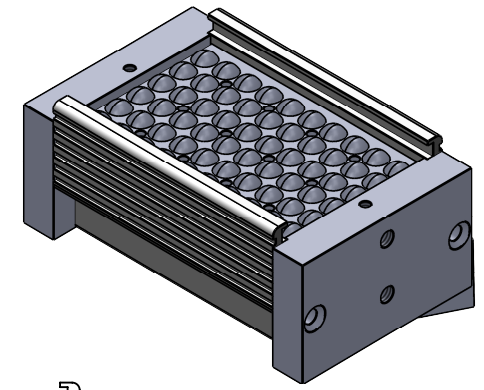
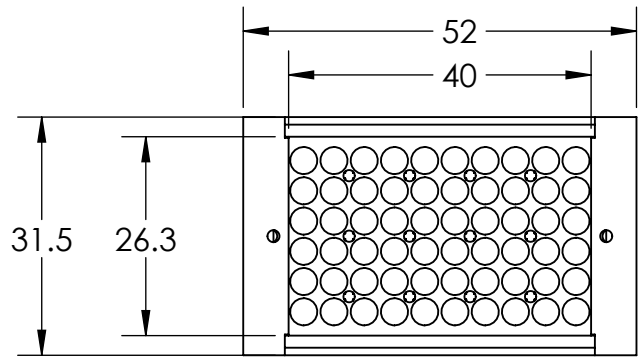
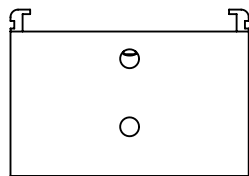
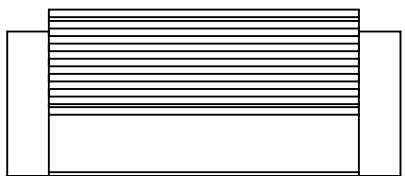


1 2 3 4 5 6 7 8

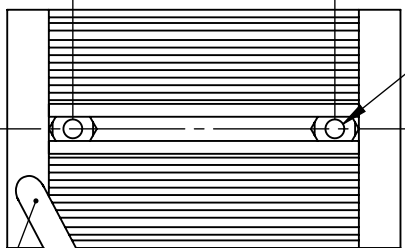
REVISIONS			
REV.	DESCRIPTIONS	EDIT BY	DATE:(d/m/y)



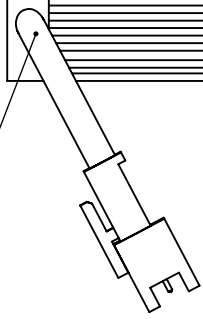
2X TAP M3  $\nabla$  4  
(ON 2 SIDES)



2X M3 ADJUSTABLE NUT



CABLE & CONNECTOR



DESIGN BY	FIRDAUS	UNIT: MM
CHECK BY	NIZAM	$\oplus$ $\ominus$ SIZE A4
DATE	25/5/2022	REVISION:
MATERIAL	-	01
FINISHING	-	SCALE:
QTY	-	1:1

PRODUCT SERIES: LBRX SERIES		
TITLE	DRAWING LAYOUT	GEN. TOLERANCES
PART NO	LBRX-00-040-6-X-24V	X $\pm$ 0.15
DWG NO	-	X.X $\pm$ 0.1
		X.XX $\pm$ 0.05
		SHEET 1 OF 1



1 2 3 4 5 6 7 8

D  
C  
B  
A

D  
C  
B  
A