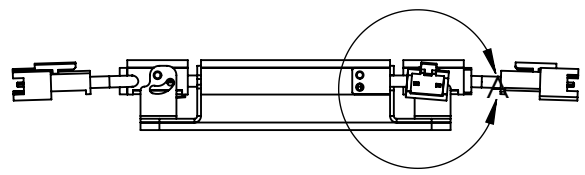
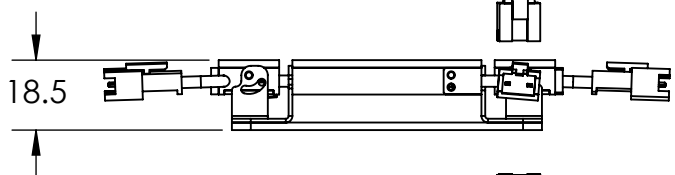
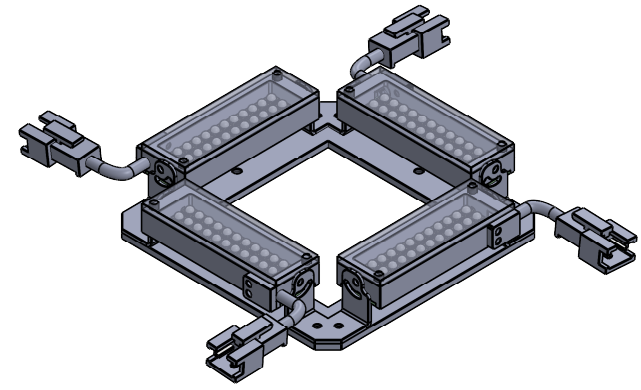
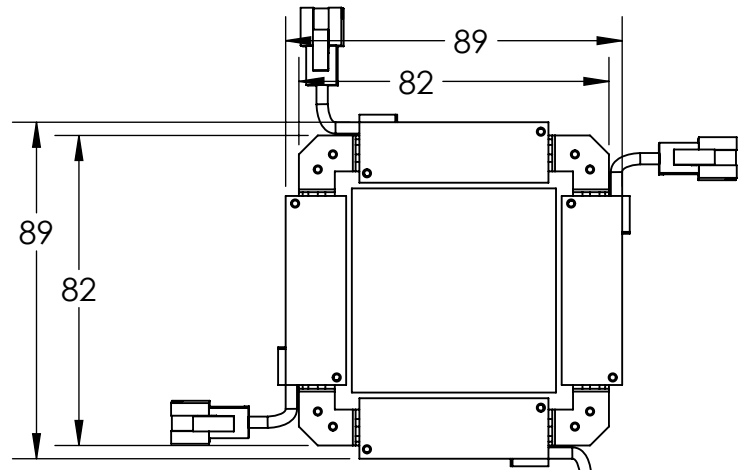
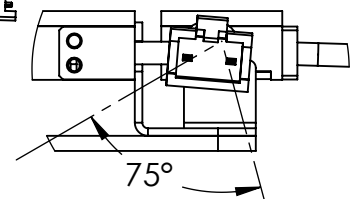


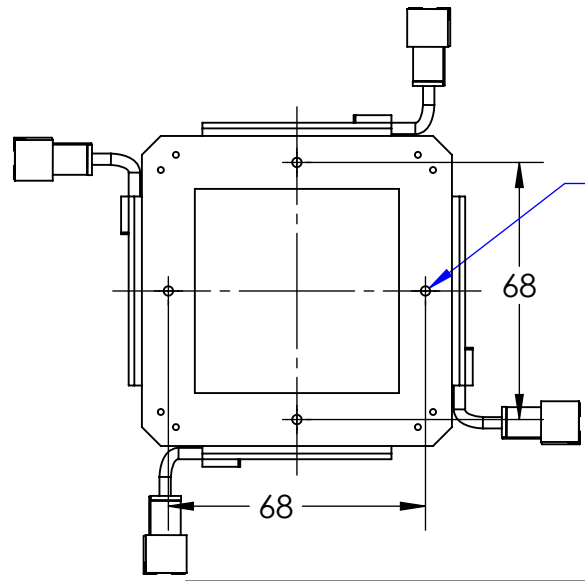
REVISIONS			
REV.	DESCRIPTIONS	EDIT BY	DATE:(d/m/y)



DETAIL A
SCALE 1 : 1



ADJUSTMENT
ROTATE ANGLE



4X TAP M3X0.5
THRU ALL



DESIGN BY	FIRDAUS	UNIT: MM	PRODUCT SERIES: LBMQ SERIES	
CHECK BY	NIZAM	SIZE A4		
DATE	2/6/2022	REVISION:	TITLE	DRAWING LAYOUT
MATERIAL	-	01	PART NO	LBMQ-00-040-3-X-24V
FINISHING	-	SCALE:	DWG NO	-
QTY	-	1:1	GEN. TOLERANCES	
X ±0.15				
X.X ±0.1				
X.XX ±0.05				
SHEET 1 OF 1				