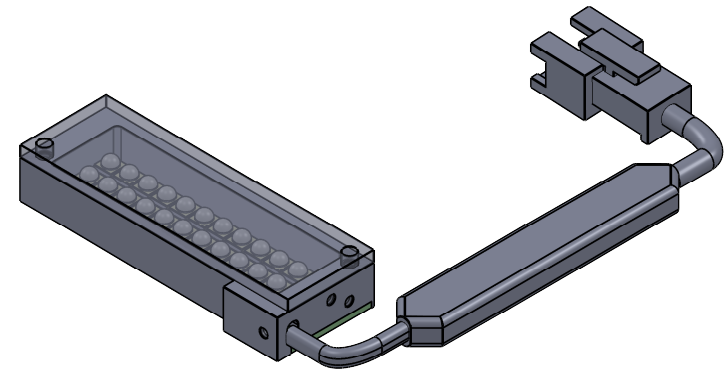
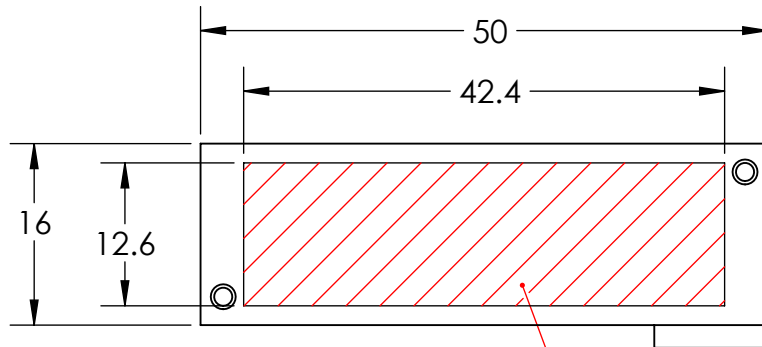
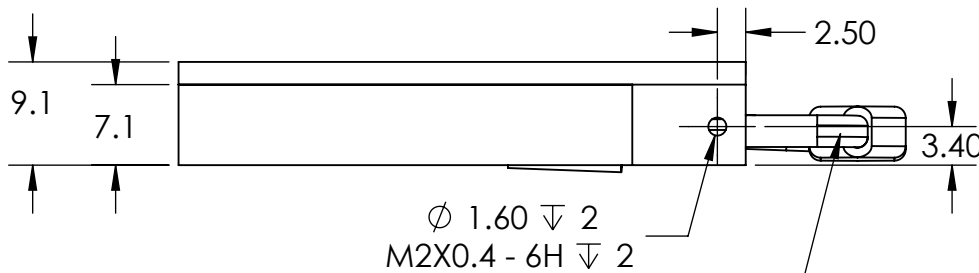
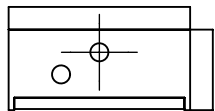


1 2 3 4 5 6 7 8

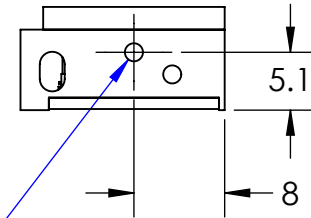
REVISIONS			
REV.	DESCRIPTIONS	EDIT BY	DATE:(d/m/y)



EMITTING AREA



24V CONNECTOR
& 50CM CABLE



2X TAP M2X0.4 - ∇ 3.10
NOT THRU
(BOTH SIDES)

DESIGN BY	FIRDAUS	UNIT: MM	PRODUCT SERIES: LBM SERIES	
CHECK BY	NIZAM	ϕ ∇ SIZE A4		
DATE	2/6/2022	REVISION:	TITLE	DRAWING LAYOUT
MATERIAL	-	01	PART NO	LBM-00-040-3-X-24V
FINISHING	-	SCALE:	DWG NO	-
QTY	-	1:1	GEN. TOLERANCES	
			X	± 0.15
			X.X	± 0.1
			X.XX	± 0.05
			SHEET 1 OF 1	

1 2 3 4 5 6 7 8