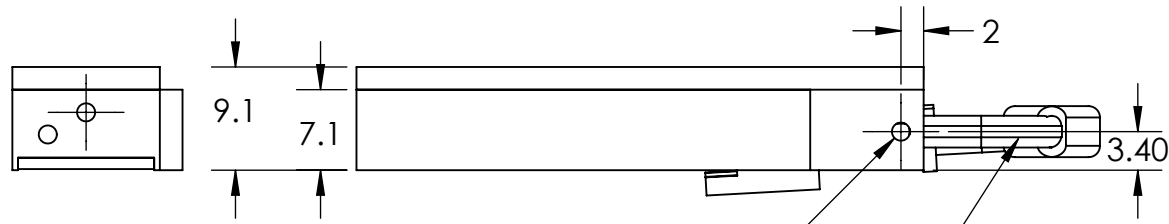
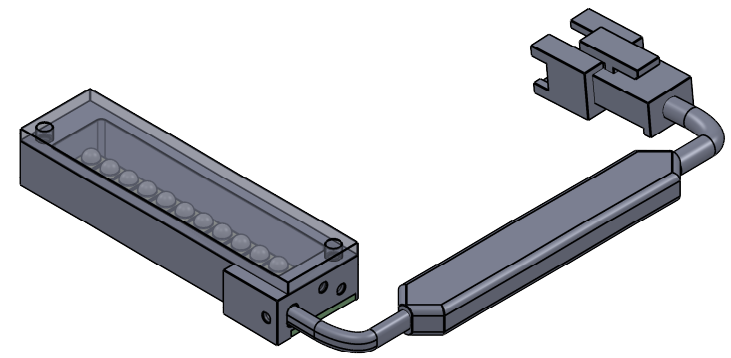
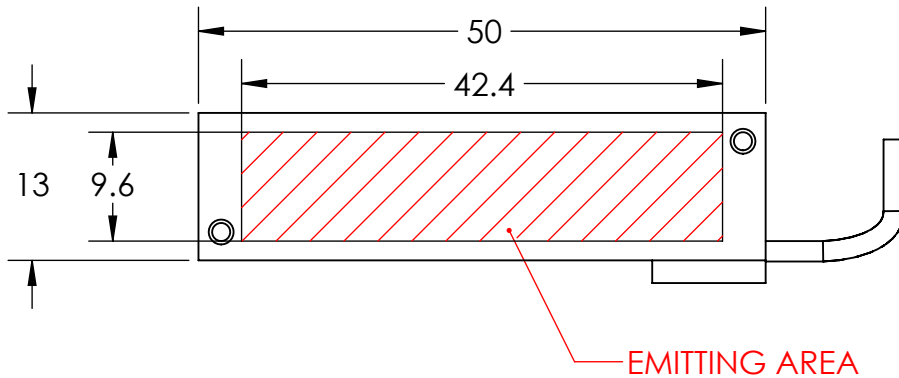
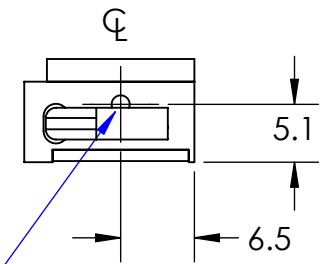


REVISIONS			
REV.	DESCRIPTIONS	EDIT BY	DATE:(d/m/y)



ϕ 1.60 ∇ 2
M2X0.4 - 6H ∇ 2

24V CONNECTOR
& 50CM CABLE



TAP M2X0.4 - ∇ 3.10
NOT THRU
(BOTH SIDES)



DESIGN BY	FIRDAUS	UNIT: MM	PRODUCT SERIES: LBM SERIES	
CHECK BY	NIZAM	ϕ ∇ SIZE A4	TITLE	
DATE	2/6/2022	REVISION:	PART NO	DRAWING LAYOUT
MATERIAL	-	01	DWG NO	LBM-00-040-2-X-24V
FINISHING	-	SCALE:	GEN. TOLERANCES	
QTY	-	1:1	X \pm 0.15	
			X.X \pm 0.1	
			X.XX \pm 0.05	
			SHEET 1 OF 1	