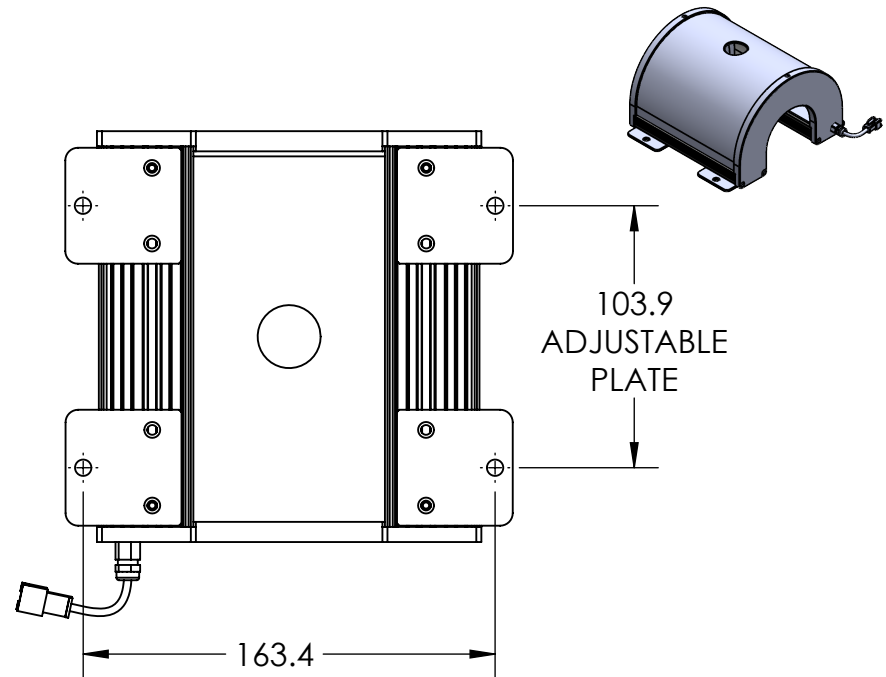
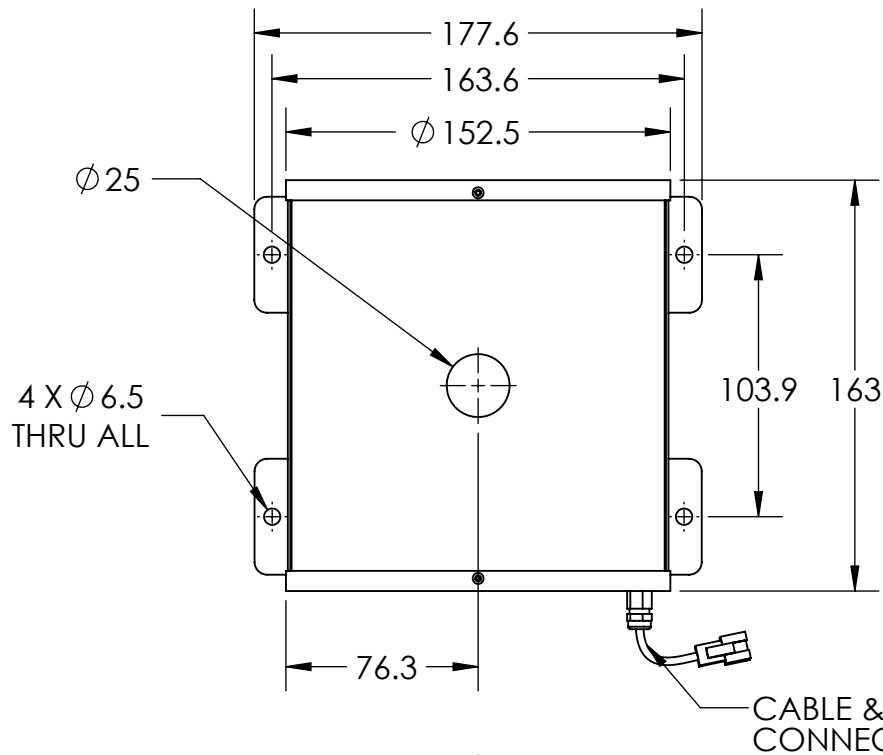


REVISIONS			
REV.	DESCRIPTIONS	EDIT BY	DATE:(d/m/y)

D

D

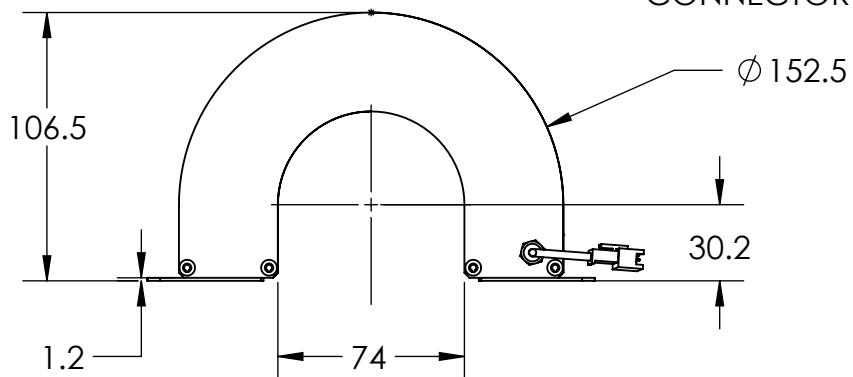


C

C

B

B



A

A



DESIGN BY	FIRDAUS	UNIT: MM	PRODUCT SERIES: IDT3 SERIES	
CHECK BY	NIZAM	SIZE A4		
DATE	7/6/2022	REVISION:	TITLE DRAWING LAYOUT	
MATERIAL	-	01		
FINISHING	-	SCALE:	PART NO	IDT3-00-150-1-X-24V
QTY	-	1:1	DWG NO	-
			GEN. TOLERANCES	
			X	±0.15
			X.X	±0.1
			X.XX	±0.05
			SHEET 1 OF 1	