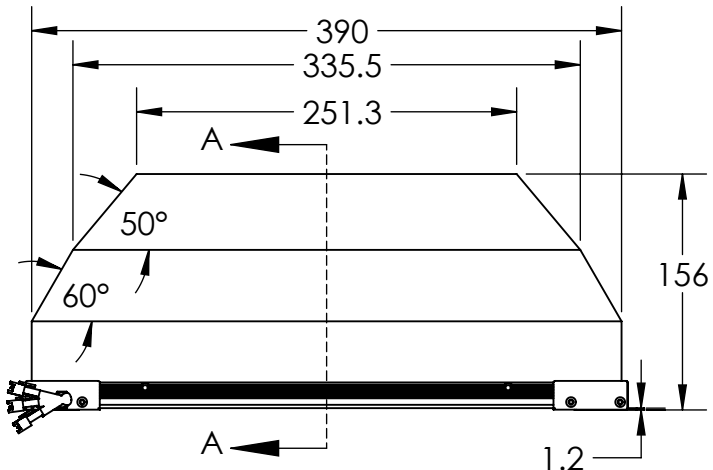
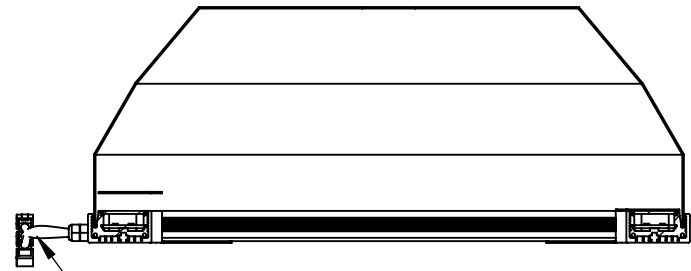


REVISIONS			
REV.	DESCRIPTIONS	EDIT BY	DATE:(d/m/y)

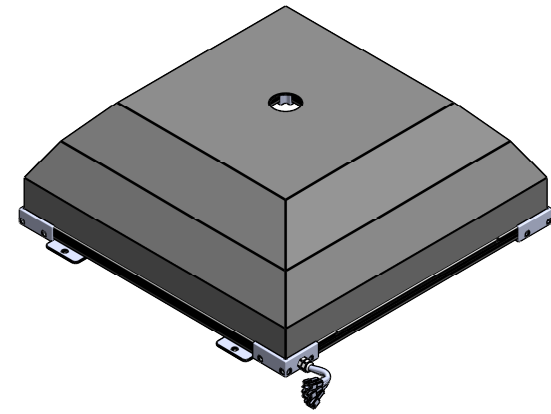
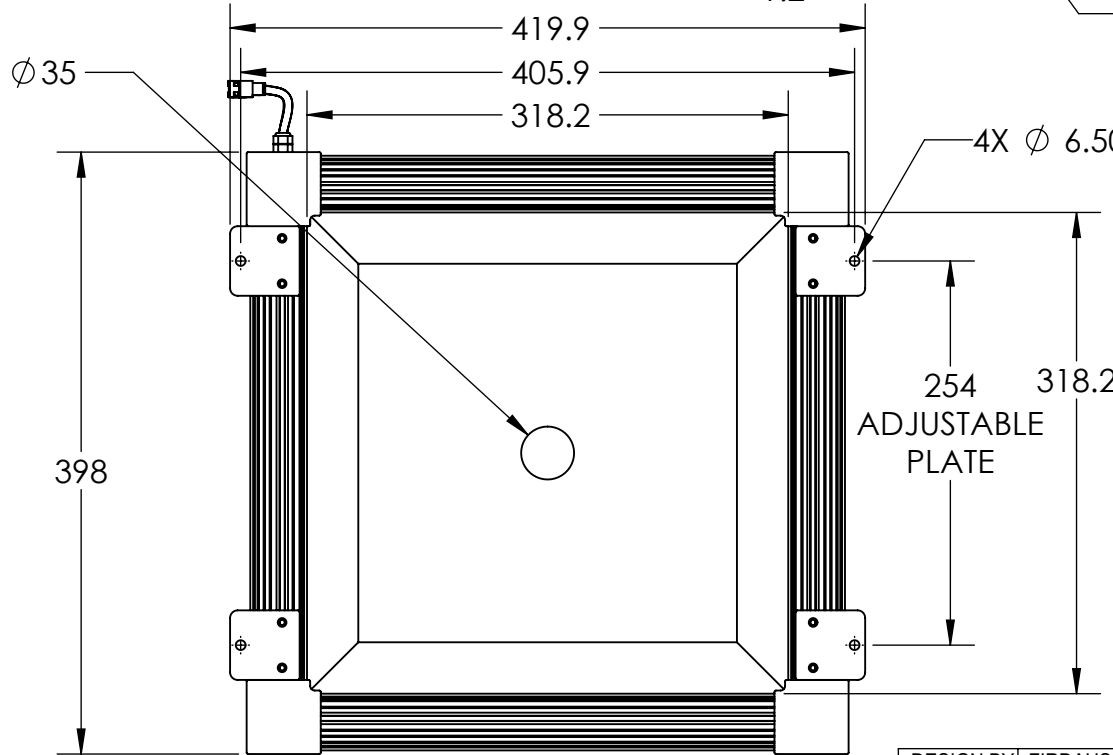
D
C
B
A



SECTION A-A
SCALE 1 : 5



50CM CABLE &
3 X 24V CONNECTOR



DESIGN BY	FIRDAUS	UNIT: MM
CHECK BY	NIZAM	SIZE A4
DATE	7/6/2022	REVISION:
MATERIAL	-	01
FINISHING	-	SCALE:
QTY	-	1:1

PRODUCT SERIES: IDQ3 SERIES		GEN. TOLERANCES	
TITLE	DRAWING LAYOUT	X	±0.15
PART NO	IDQ3-00-300-X-RGB-24V	X.X	±0.1
DWG NO	-	X.XX	±0.05
		SHEET 1 OF 1	

