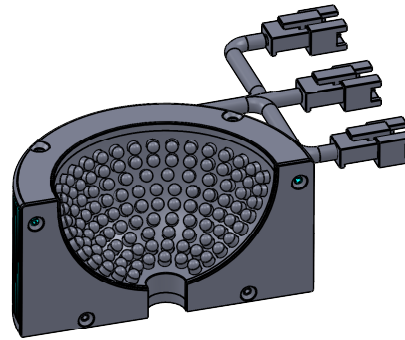
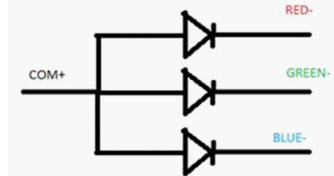


REVISIONS			
REV.	DESCRIPTIONS	EDIT BY	DATE:(d/m/y)

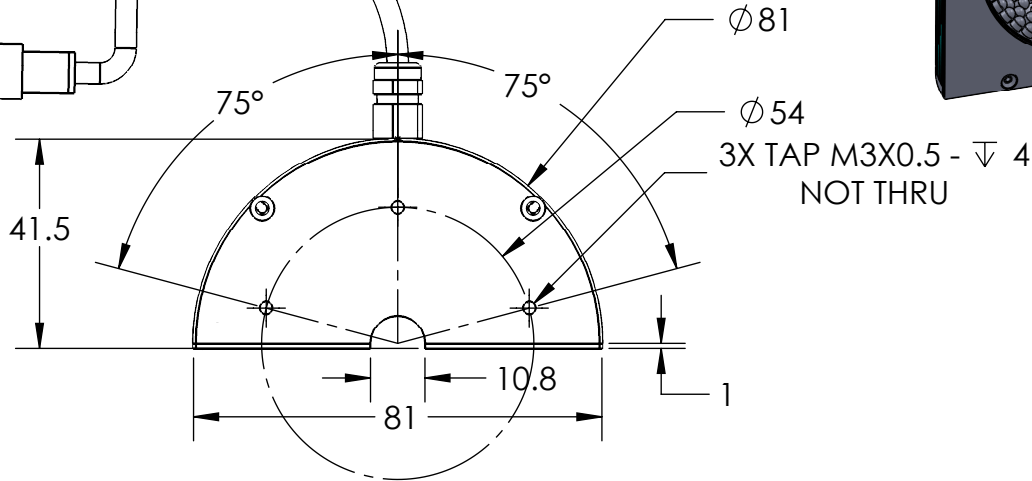
3X 24V CONNECTOR & 50CM CABLE



	24V	GND
CONNECTOR RED		RED -
CONNECTOR GREEN	COM+	GREEN -
CONNECTOR BLUE		BLUE -



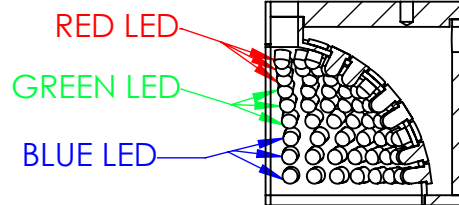
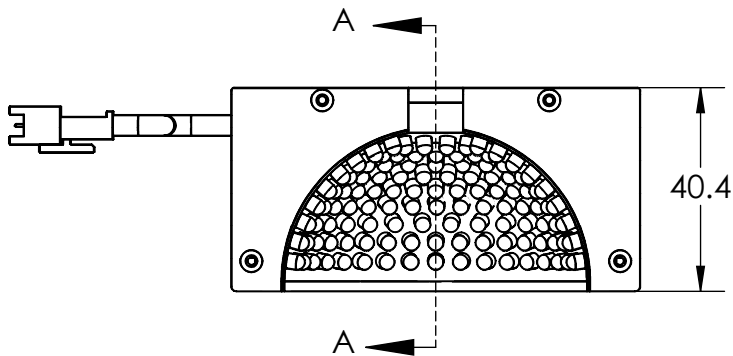
CONNECTOR



Ø81
Ø54
3X TAP M3X0.5 - ∇ 4 NOT THRU

LED-NI-3M-01	
COLOR	WAVELENGTH TOLERANCES
WHITE:	X: 0.330, 0.330, 0.361, 0.356
	Y: 0.318, 0.360, 0.385, 0.351
RED:	620-630nm
GREEN:	525-535nm
BLUE:	460-470nm
IR 850:	850-860nm
IR 940:	940nm
UV:	N/A
RGB:	N/A
RGBW:	N/A

WAVELENGTH



SECTION A-A
SCALE 1 : 1.5

ESTIMATE POWER RATING:			
VOLTAGE	24V		
CURRENT	R: 20mA	G: 40mA	B: 50mA
POWER	0.48W	0.96W	1.2W
WEIGHT	150g		

DESIGN BY	FIRDAUS	UNIT: MM
CHECK BY	NIZAM	⊕ ⊖ SIZE A4
DATE	23/5/2022	REVISION:
MATERIAL	-	01
FINISHING	-	SCALE:
QTY	-	1:1

PRODUCT SERIES: IDDC SERIES



TITLE	DRAWING LAYOUT	GEN. TOLERANCES
PART NO	IDDC-00-080-9-RGB-24V	X ±0.15
DWG NO	-	X.X ±0.1
		X.XX ±0.05
		SHEET 1 OF 1