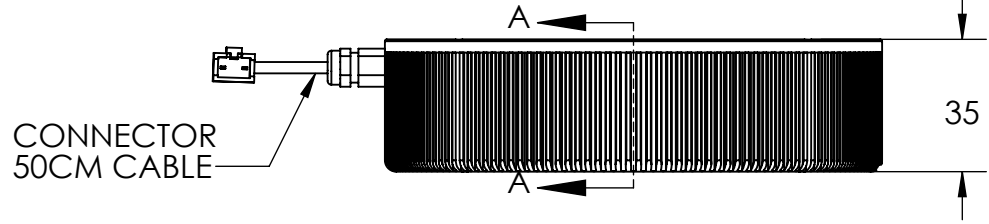
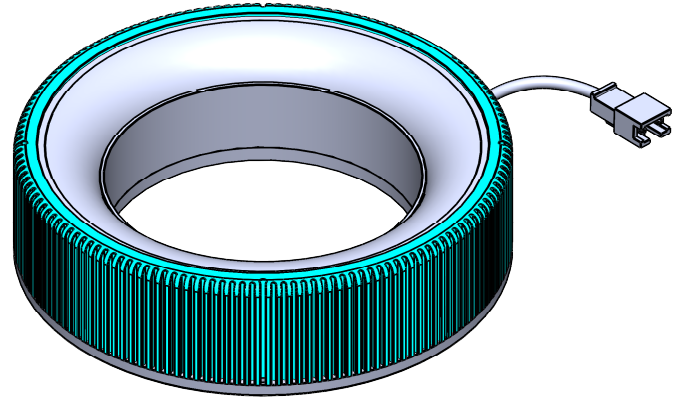
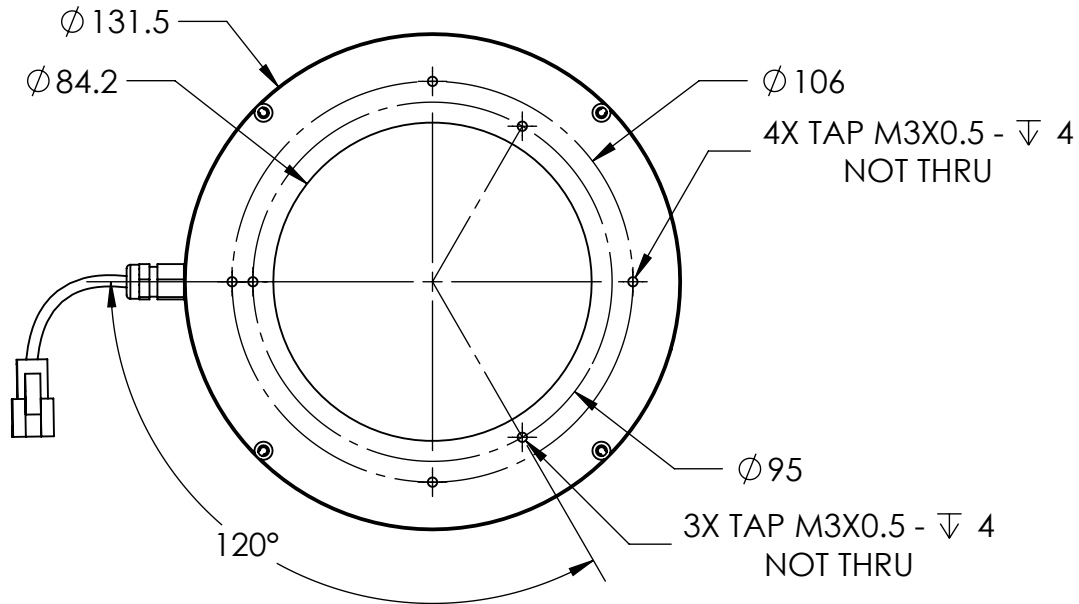
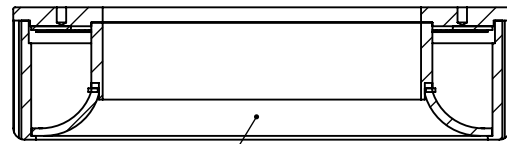



REVISIONS			
REV.	DESCRIPTIONS	EDIT BY	DATE:(d/m/y)



SECTION A-A  
SCALE 1 : 2



EMITTING AREA

DESIGN BY	FIRDAUS	UNIT: MM	PRODUCT SERIES: HPD2 SERIES	
CHECK BY	NIZAM	$\phi$ $\nabla$ SIZE A4		
DATE	26/5/2022	REVISION:	TITLE	DRAWING LAYOUT
MATERIAL	-	01	PART NO	HPD2-00-130-1-X-24V
FINISHING	-	SCALE:	DWG NO	-
QTY	-	1:1	GEN. TOLERANCES	
			X	$\pm 0.15$
			X.X	$\pm 0.1$
			X.XX	$\pm 0.05$
			SHEET 1 OF 1	