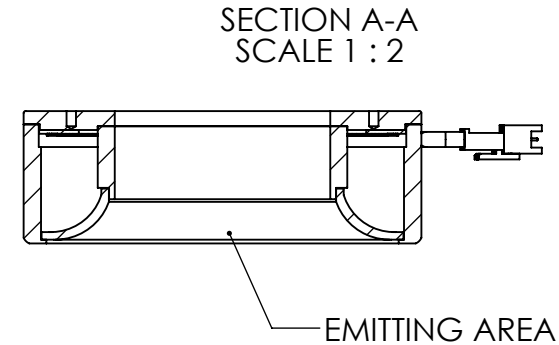
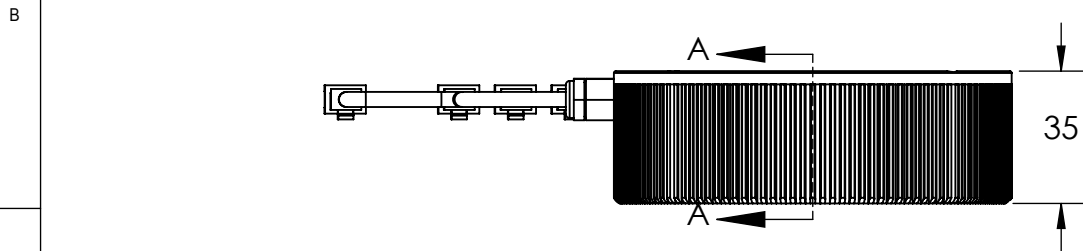
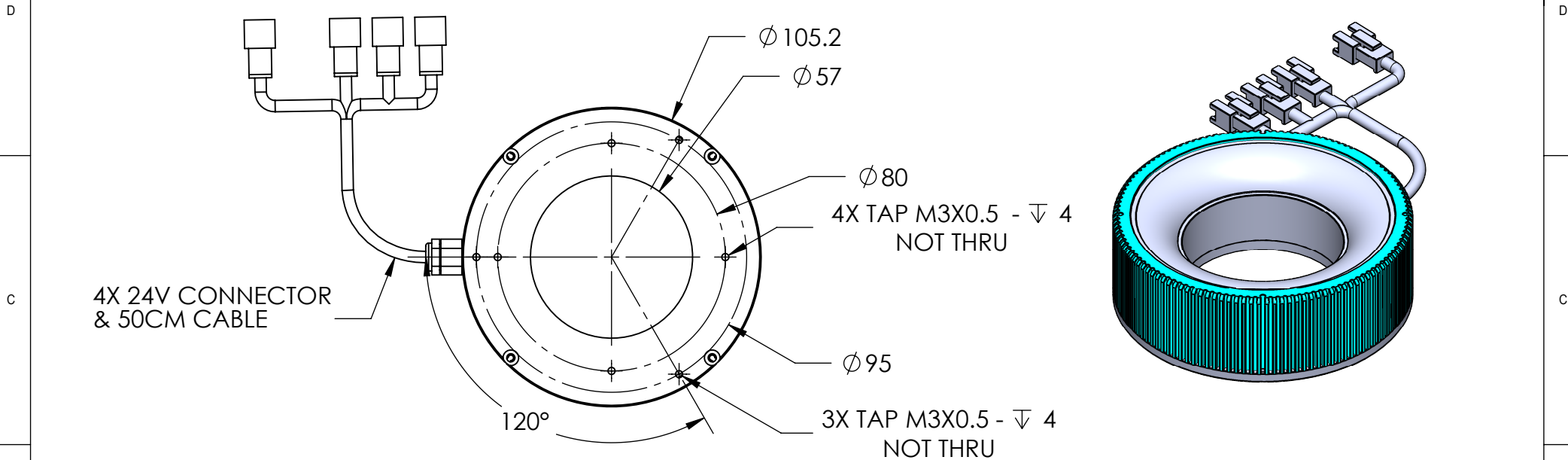


REVISIONS			
REV.	DESCRIPTIONS	EDIT BY	DATE:(d/m/y)



 <b>TMS LITE SDN. BHD.</b> (Co. No. 071971V) LED ILLUMINATION SOLUTION PARTNER	DESIGN BY	FIRDAUS	UNIT: MM	PRODUCT SERIES: HPD2 SERIES		
	CHECK BY	NIZAM	SIZE A4			
	DATE	26/5/2022	REVISION:	TITLE	DRAWING LAYOUT	GEN. TOLERANCES
	MATERIAL	-	01	PART NO	HPD2-00-100-RGBW-24V	X ±0.15
	FINISHING	-	SCALE:	DWG NO	-	X.X ±0.1
QTY	-	1:1			X.XX ±0.05	
					SHEET 1 OF 1	