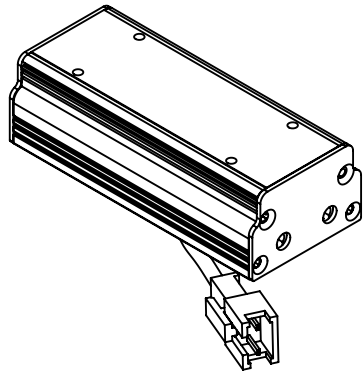
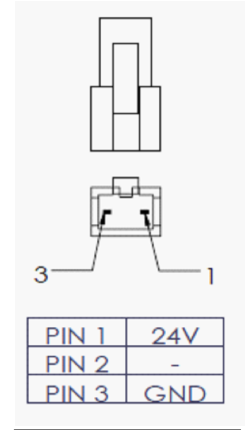
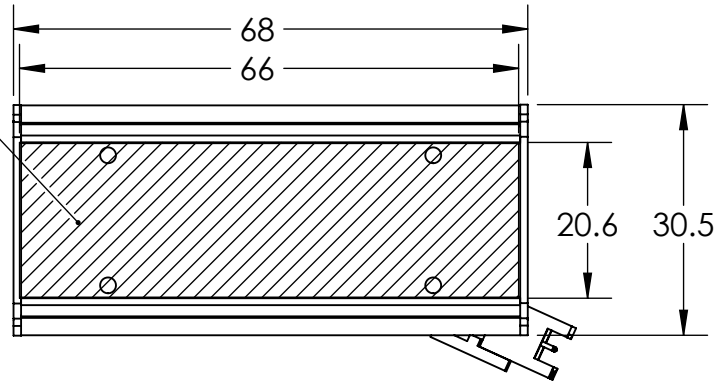


REVISIONS

ZONE	REV.	DESCRIPTIONS	DATE	APP.
------	------	--------------	------	------

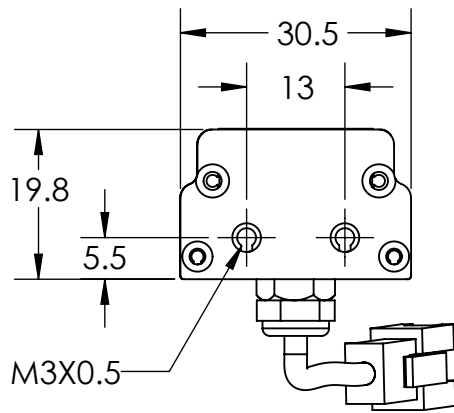


EMITTING AREA

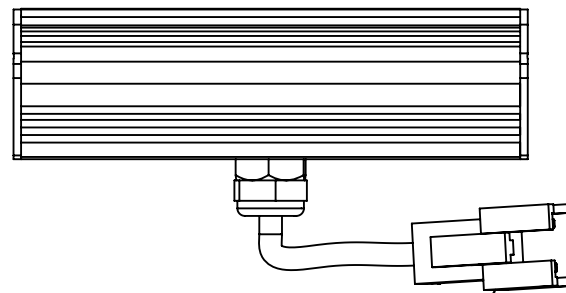


PIN 1	24V
PIN 2	-
PIN 3	GND

CONNECTOR



2X TAP M3X0.5



24V CONNECTOR & 50CM CABLE

LED-CR-XP-05	
COLOR	WAVELENGTH TOLERANCES
WHITE:	X:0.296, 0.287, 0.307, 0.311 Y:0.276, 0.295, 0.315, 0.294
RED:	620-630nm
GREEN:	520-535nm
BLUE:	460-470nm
IR 850:	850-860nm
IR 940:	N/A
UV:	N/A
RGB:	N/A
RGBW:	N/A

WAVELENGTH

ESTIMATE POWER RATING:				
COLOUR	R	G	B	W
VOLTAGE	24V	24V	24V	24V
CURRENT	160mA	160mA	160mA	160mA
POWER	3.84W	3.84W	3.84W	3.84W
WEIGHT	73g			

DESIGN BY	NIZAM	UNIT: MM
CHECK BY	KB TAN	SIZE A4
DATE	2/3/2022	REVISION:
MATERIAL	-	01
FINISHING	-	SCALE:
QTY	-	1:1

PRODUCT SERIES: HLBS2 SERIES

TITLE	DRAWING LAYOUT	GEN. TOLERANCES
PART NO	HLBS2-00-065-2-X-24V	X ±0.15
DWG NO	-	X.X ±0.1
		X.XX ±0.05
		SHEET 1 OF 1

