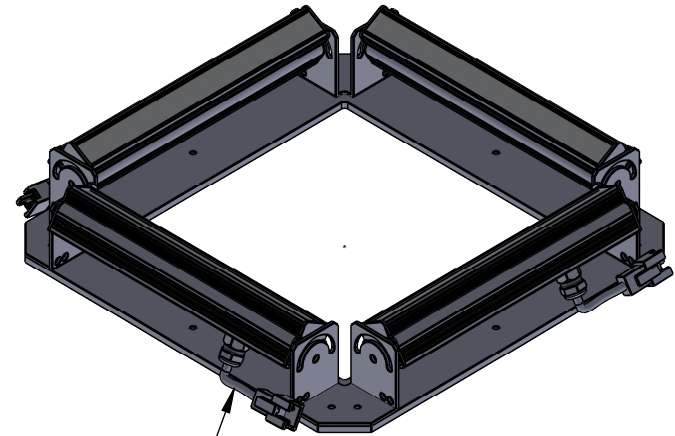
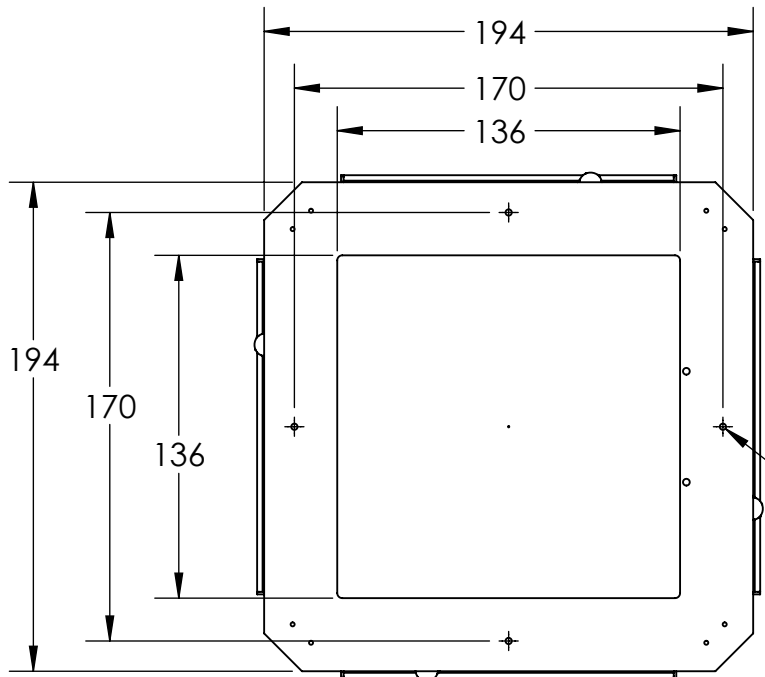
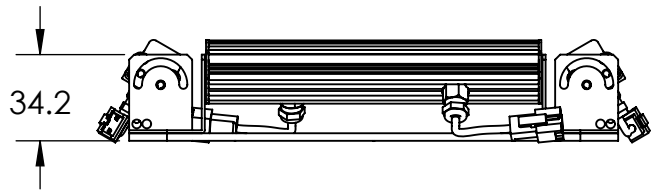


1 2 3 4 5 6 7 8

REVISIONS			
REV.	DESCRIPTIONS	EDIT BY	DATE:(d/m/y)



4X 24V CONNECTOR & 50CM CABLE

4 - TAP M3

DESIGN BY	FIRDAUS	UNIT: MM
CHECK BY	NIZAM	⊕ ⊖ SIZE A4
DATE	3/6/2022	REVISION:
		01
MATERIAL	-	SCALE:
FINISHING	-	1:1
QTY	-	

PRODUCT SERIES: HLBQ2 SERIES



TITLE	DRAWING LAYOUT	GEN. TOLERANCES
PART NO	HLBQ2-00-130-1-X-24V	X ±0.15
DWG NO	-	X.X ±0.1
		X.XX ±0.05
		SHEET 1 OF 1

1 2 3 4 5 6 7 8

D  
C  
B  
A

D  
C  
B  
A