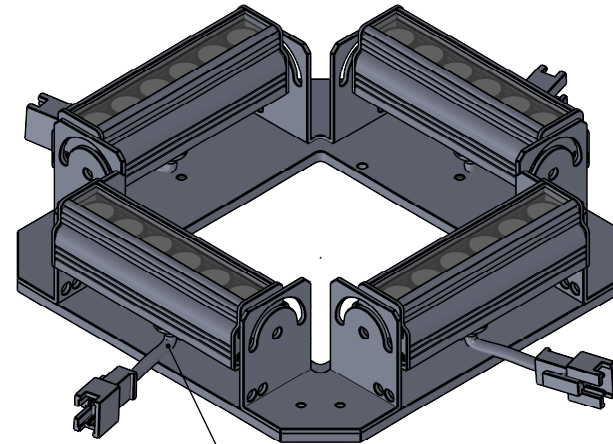
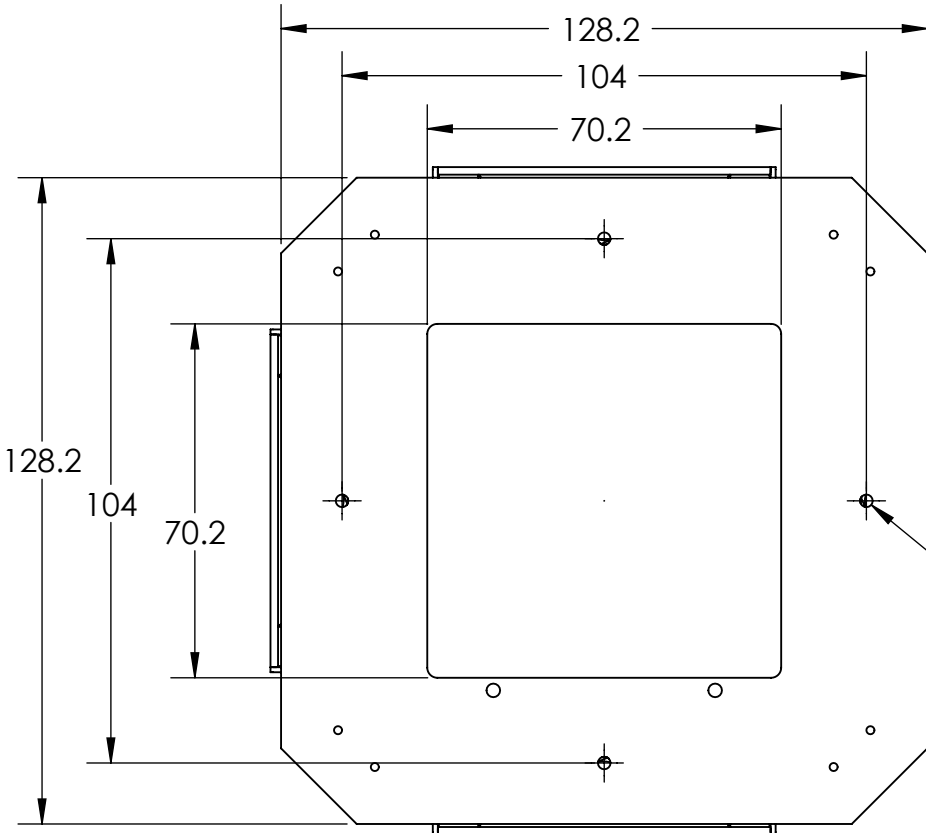
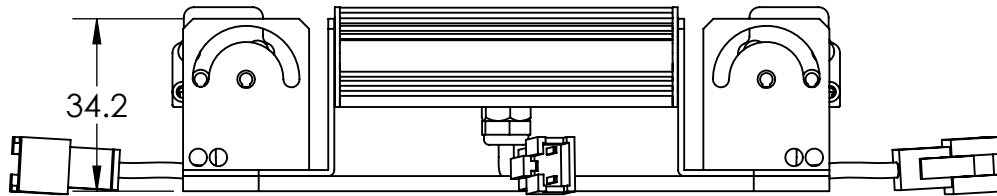


1 2 3 4 5 6 7 8

REVISIONS			
REV.	DESCRIPTIONS	EDIT BY	DATE:(d/m/y)



4 - TAP M3

4 X 24V CONNECTOR & 50CM CABLE

DESIGN BY	FIRDAUS	UNIT: MM
CHECK BY	NIZAM	SIZE A4
DATE	3/6/2022	REVISION:
MATERIAL	-	01
FINISHING	-	SCALE:
QTY	-	1:1

PRODUCT SERIES: HLBQ2 SERIES



TITLE	DRAWING LAYOUT	GEN. TOLERANCES
PART NO	HLBQ2-00-065-1-X-24V	X ±0.15
DWG NO	-	X.X ±0.1
		X.XX ±0.05
		SHEET 1 OF 1

1 2 3 4 5 6 7 8

D

C

B

A

D

C

B

A