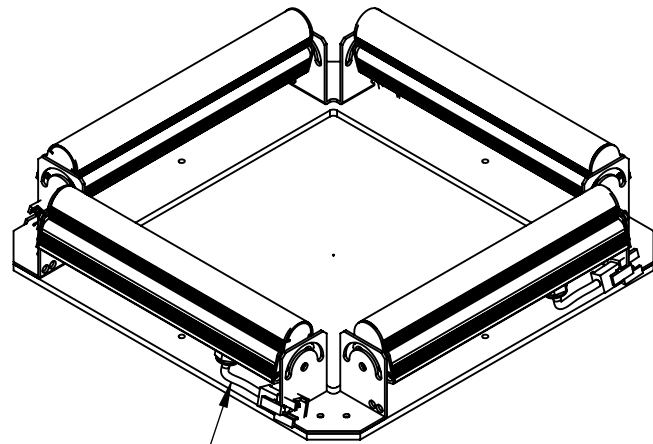
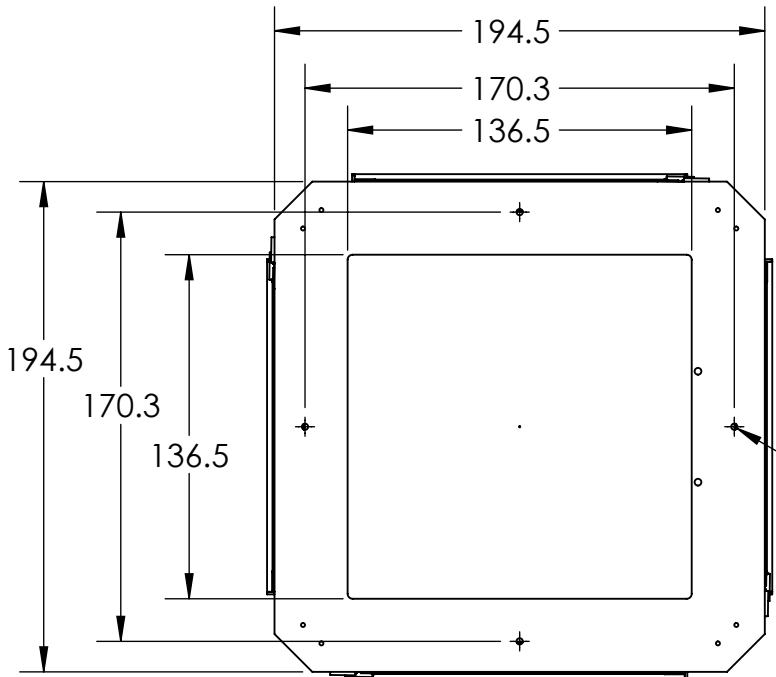
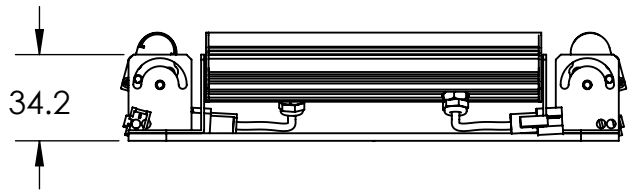


1 2 3 4 5 6 7 8

REVISIONS			
REV.	DESCRIPTIONS	EDIT BY	DATE:(d/m/y)



4X 24V CONNECTOR & 50CM CABLE

4 - TAP M3 N.S

D

C

B

A

D

C

B

A



DESIGN BY	FIRDAUS	UNIT: MM	PRODUCT SERIES: HBLDQ SERIES	
CHECK BY	NIZAM	SIZE A4		
DATE	3/6/2022	REVISION:	TITLE	
MATERIAL	-	01	PART NO	DRAWING LAYOUT
FINISHING	-	SCALE:	DWG NO	HBLDQ-00-130-1-X-24V
QTY	-	1:1	-	
			GEN. TOLERANCES	
			X	±0.15
			X.X	±0.1
			X.XX	±0.05
			SHEET 1 OF 1	

1 2 3 4 5 6 7 8