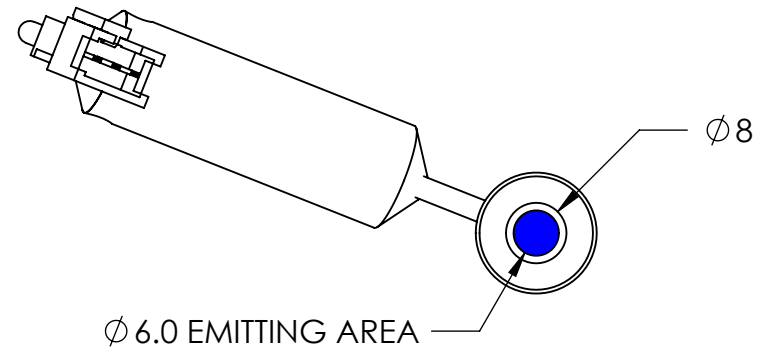
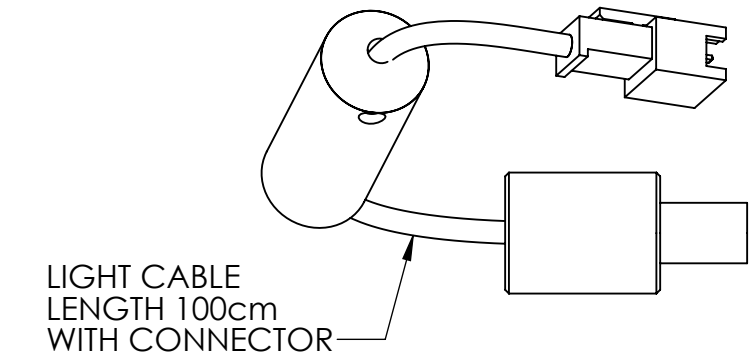
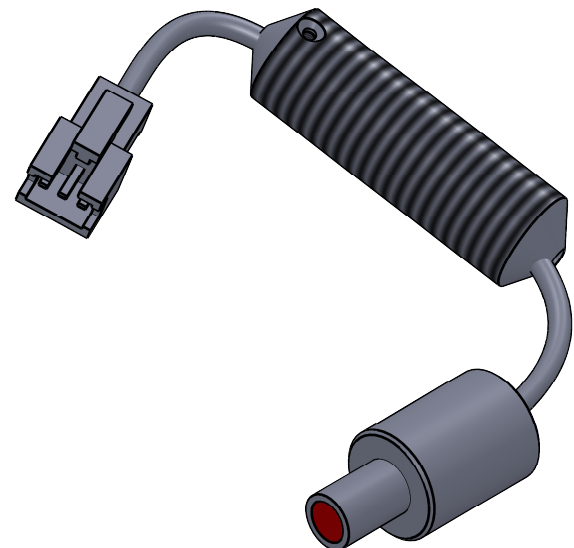
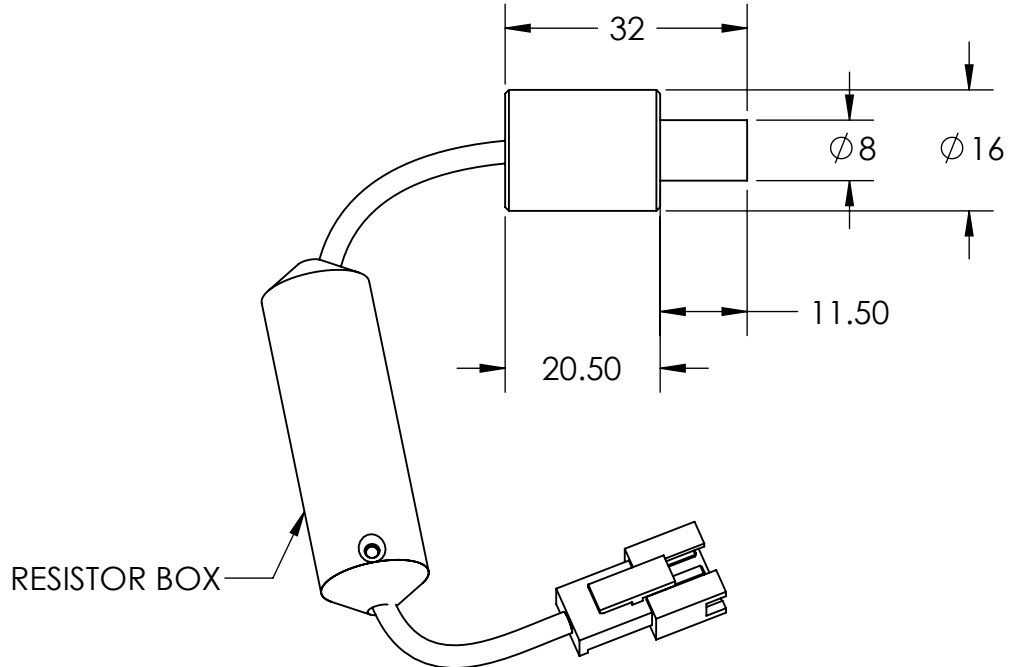


REVISIONS			
REV.	DESCRIPTIONS	EDIT BY	DATE:(d/m/y)



DESIGN BY	FIRDAUS	UNIT: MM	PRODUCT SERIES: HBFS SERIES	
CHECK BY	NIZAM	⊕ ⊖ SIZE A4	TITLE	DRAWING LAYOUT
DATE	8/6/2022	REVISION:	PART NO	HBFS-00-08-1-X-5V
MATERIAL	-	01	DWG NO	-
FINISHING	-	SCALE:	GEN. TOLERANCES	
QTY	-	1:1	X ±0.15	
			X.X ±0.1	
			X.XX ±0.05	
			SHEET 1 OF 1	

