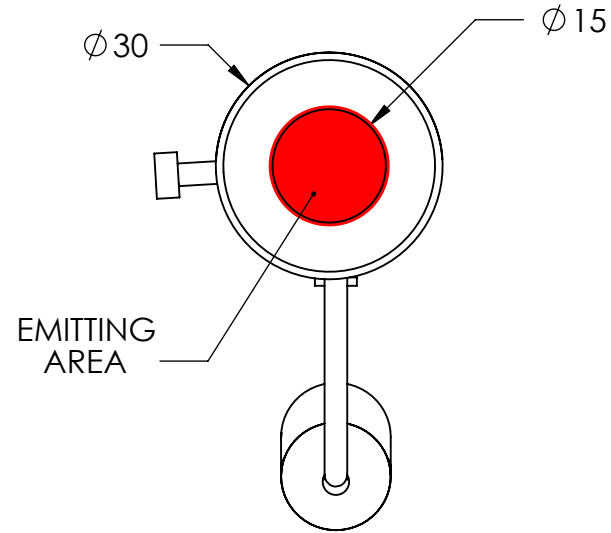
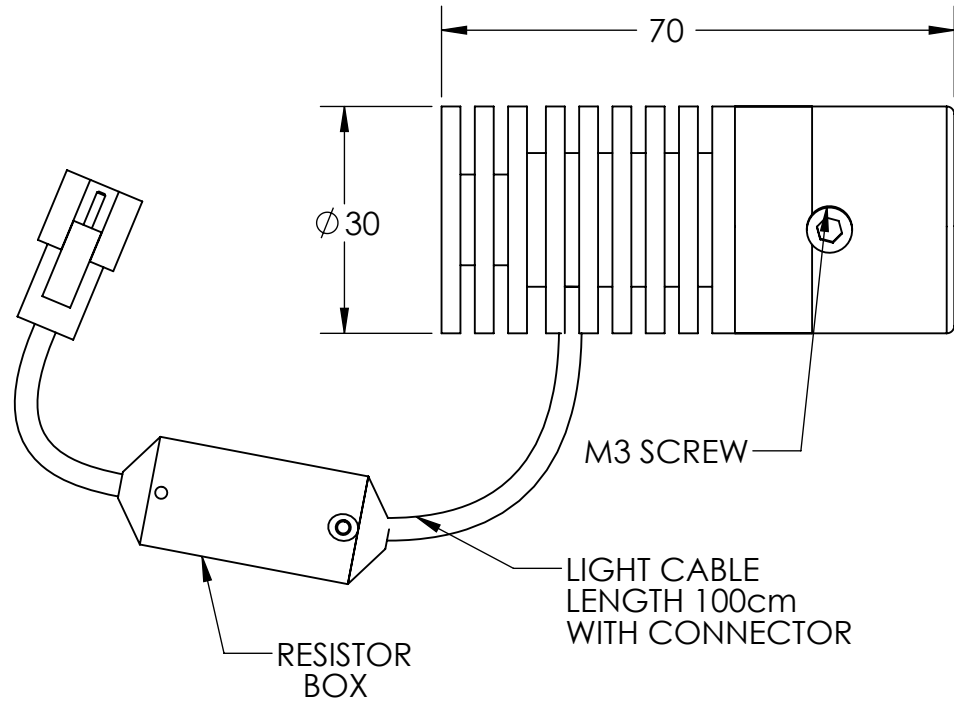
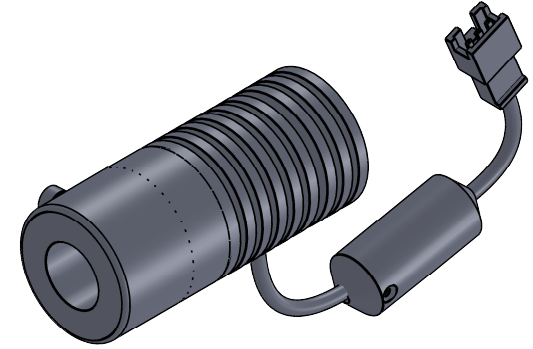


REVISIONS			
REV.	DESCRIPTIONS	EDIT BY	DATE:(d/m/y)



DESIGN BY	FIRDAUS	UNIT: MM
CHECK BY	NIZAM	$\varnothing$ $\square$ SIZE A4
DATE	8/6/2022	REVISION:
MATERIAL	-	01
FINISHING	-	SCALE:
QTY	-	1:1

PRODUCT SERIES: HBF SERIES



TITLE	DRAWING LAYOUT	GEN. TOLERANCES
PART NO	HBF-00-16-1-X-5V-24V	X $\pm 0.15$
DWG NO	-	X.X $\pm 0.1$
		X.XX $\pm 0.05$
		SHEET 1 OF 1