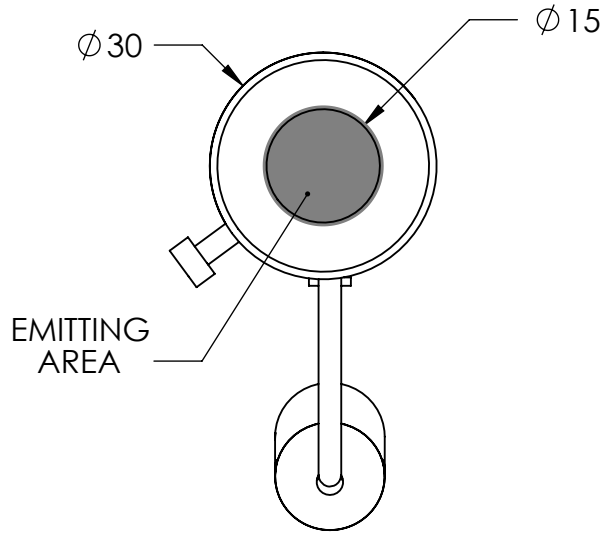
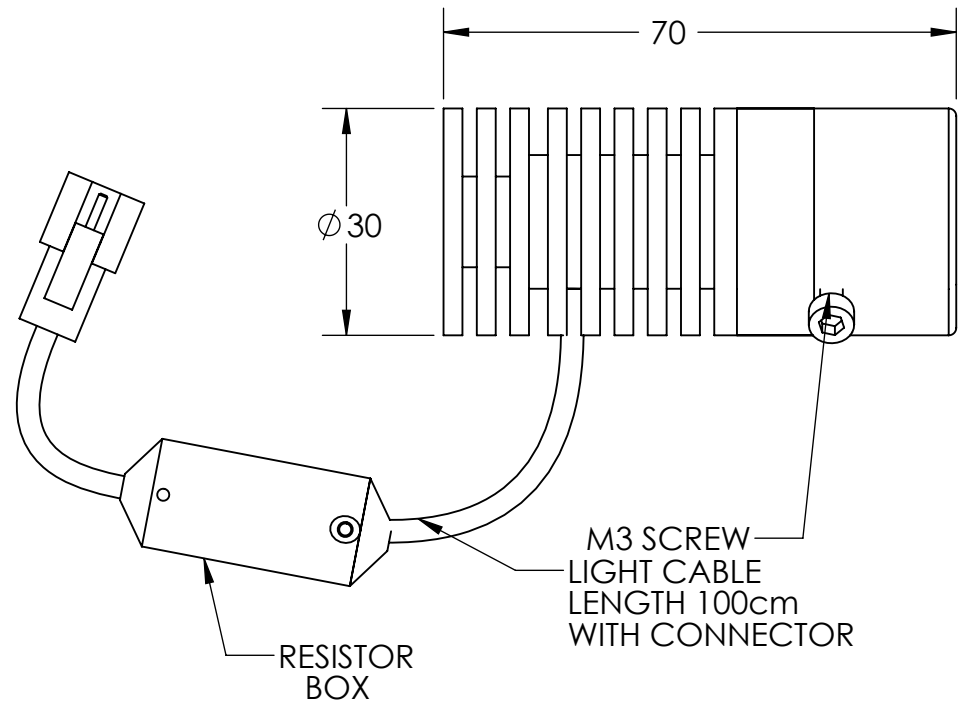
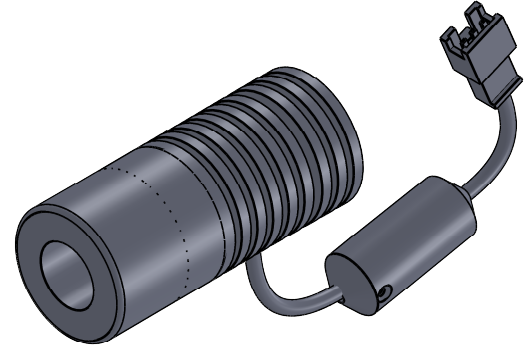


REVISIONS			
REV.	DESCRIPTIONS	EDIT BY	DATE:(d/m/y)



DESIGN BY	FIRDAUS	UNIT: MM	PRODUCT SERIES: HBF SERIES	
CHECK BY	NIZAM	ϕ \square SIZE A4	TITLE	DRAWING LAYOUT
DATE	8/6/2022	REVISION:	PART NO	HBF-00-16-1-X-24V
MATERIAL	-	01	DWG NO	-
FINISHING	-	SCALE:	GEN. TOLERANCES	
QTY	-	1:1	X ± 0.15	
			X.X ± 0.1	
			X.XX ± 0.05	
			SHEET 1 OF 1	

