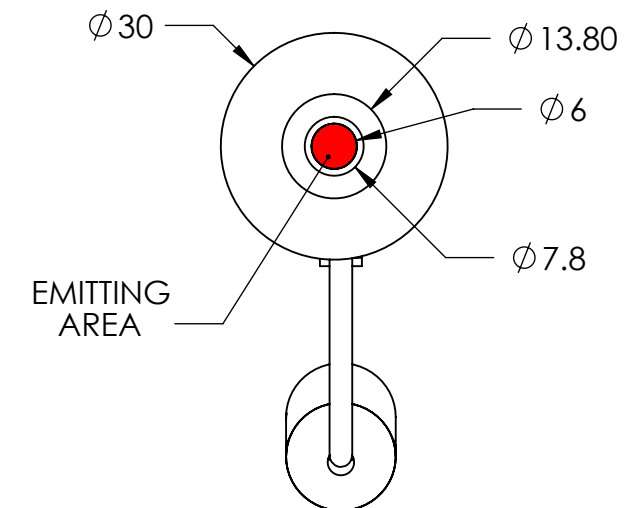
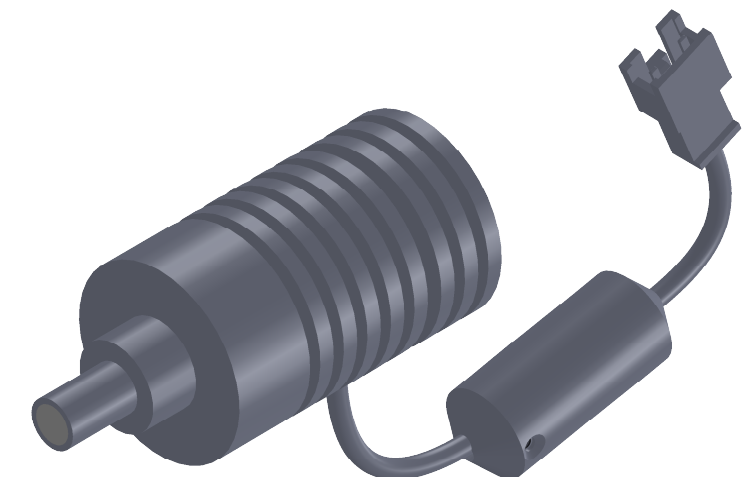
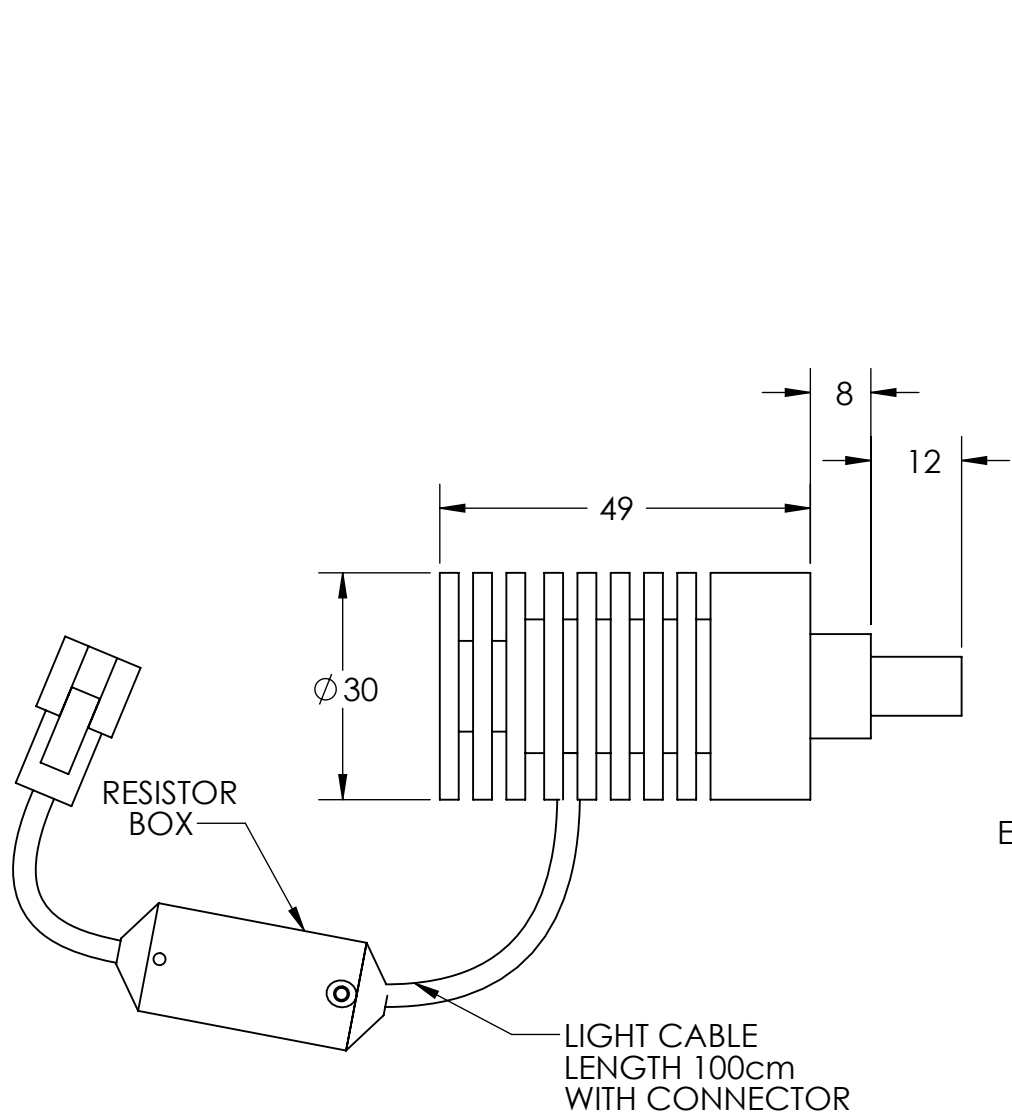


REVISIONS			
REV.	DESCRIPTIONS	EDIT BY	DATE:(d/m/y)



DESIGN BY	FIRDAUS	UNIT: MM
CHECK BY	NIZAM	ϕ \triangleleft SIZE A4
DATE	8/6/2022	REVISION: 01
MATERIAL	-	SCALE: 1:1
FINISHING	-	
QTY	-	

PRODUCT SERIES: HBF SERIES



TITLE	DRAWING LAYOUT	GEN. TOLERANCES
PART NO	HBF-00-08-1-X-5V	X ± 0.15
DWG NO	-	X.X ± 0.1
		X.XX ± 0.05
		SHEET 1 OF 1