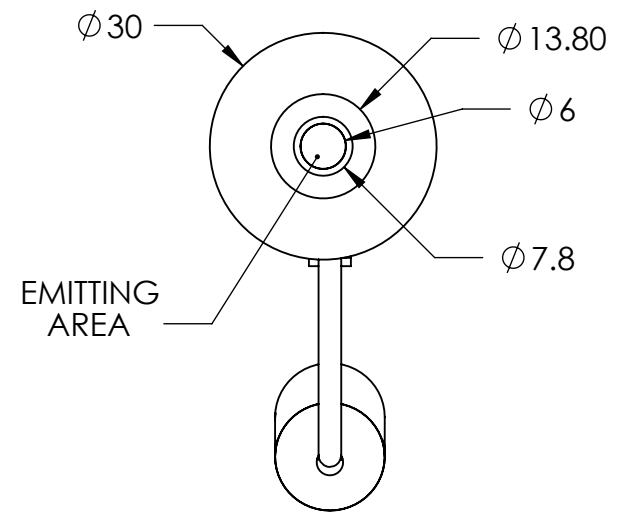
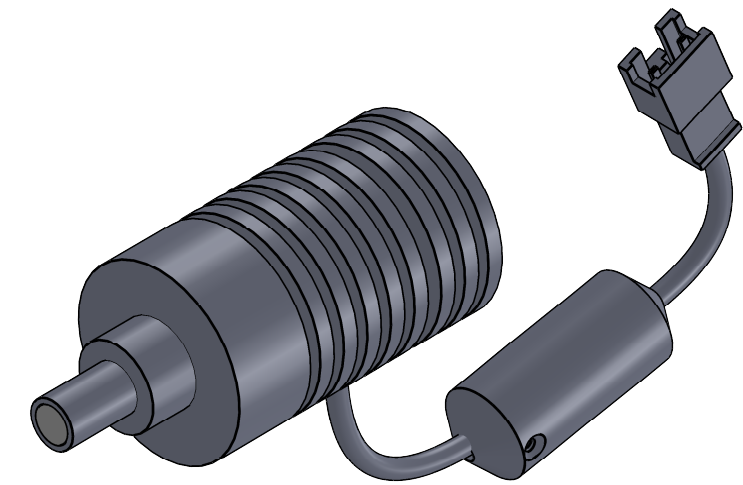
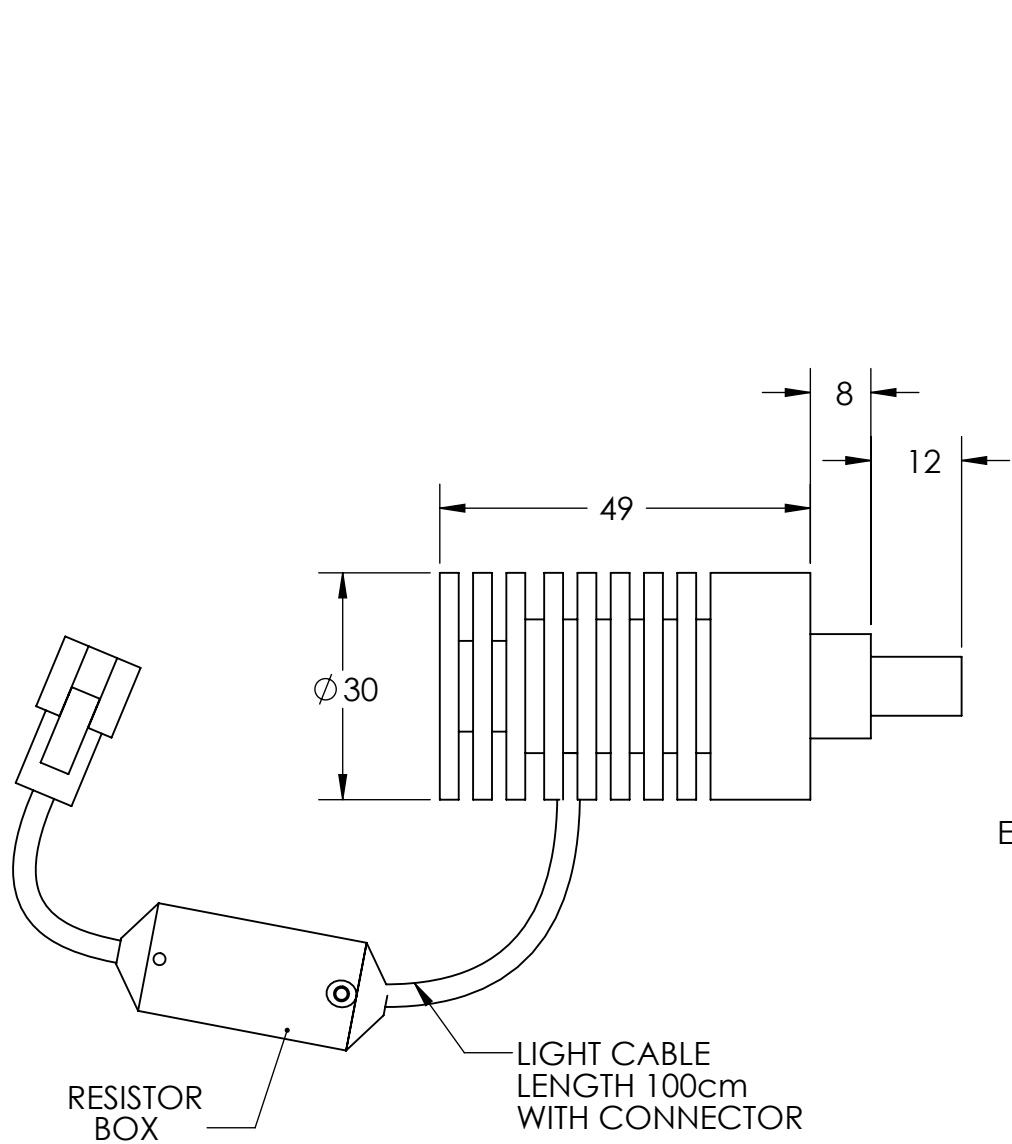


1 2 3 4 5 6 7 8

REVISIONS			
REV.	DESCRIPTIONS	EDIT BY	DATE:(d/m/y)



DESIGN BY	FIRDAUS	UNIT: MM	PRODUCT SERIES: HBF SERIES	
CHECK BY	NIZAM	$\phi$ $\square$ SIZE A4	TITLE	DRAWING LAYOUT
DATE	8/6/2022	REVISION:	PART NO	HBF-00-08-1-W-24V
MATERIAL	-	01	DWG NO	-
FINISHING	-	SCALE:	GEN. TOLERANCES	
QTY	-	1:1	X $\pm 0.15$	
			X.X $\pm 0.1$	
			X.XX $\pm 0.05$	
			SHEET 1 OF 1	



1 2 3 4 5 6 7 8