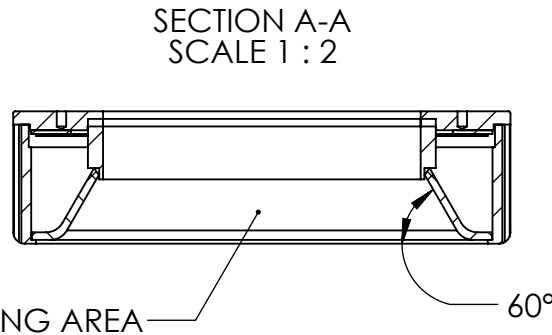
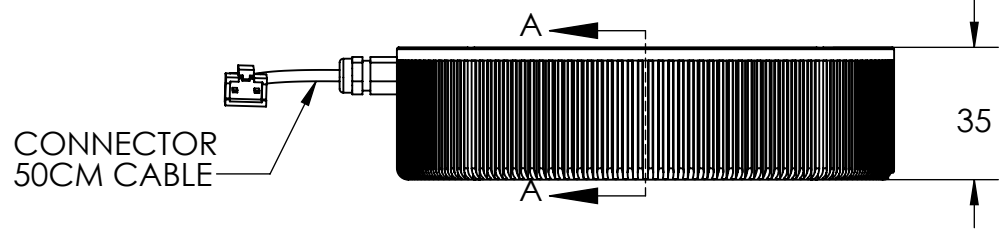
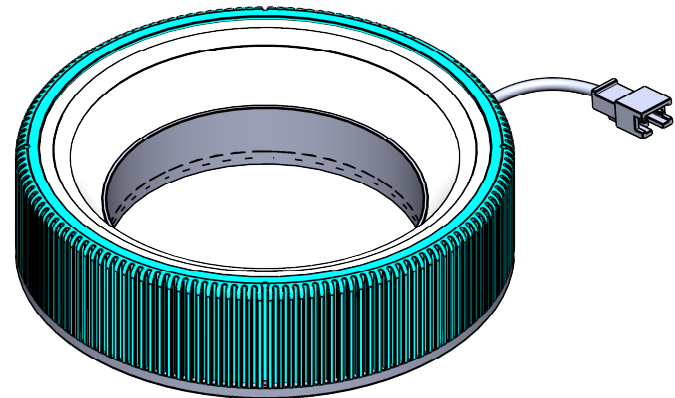
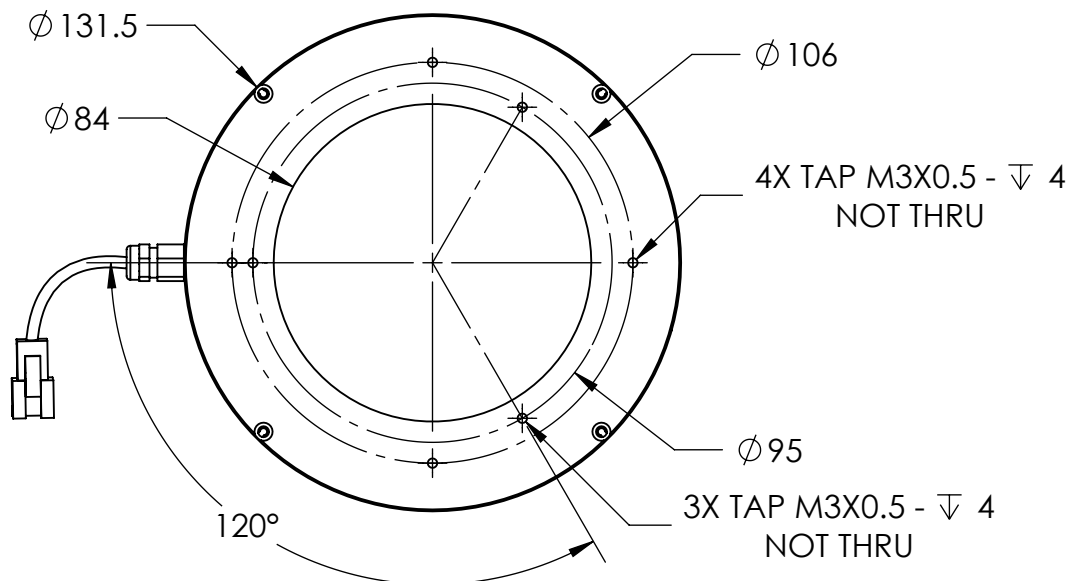



REVISIONS			
REV.	DESCRIPTIONS	EDIT BY	DATE:(d/m/y)



DESIGN BY	FIRDAUS	UNIT: MM	PRODUCT SERIES: DLR3 SERIES			
CHECK BY	NIZAM	$\phi$ $\nabla$ SIZE A4				
DATE	3/6/2022	REVISION:	TITLE	DRAWING LAYOUT		
MATERIAL	-	01	PART NO	DLR3-60-130-1-X-24V		
FINISHING	-	SCALE:	DWG NO	-		
QTY	-	1:1	GEN. TOLERANCES			
 TMS LITE SDN. BHD. (Co. No. 071971V) LED ILLUMINATION SOLUTION PARTNER						
					X	$\pm 0.15$
					X.X	$\pm 0.1$
				X.XX	$\pm 0.05$	
				SHEET 1 OF 1		