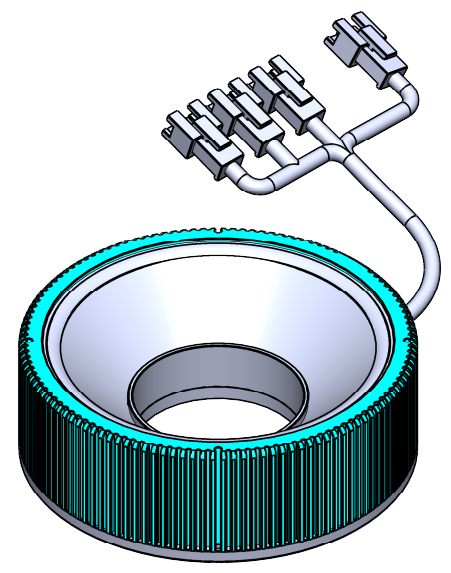
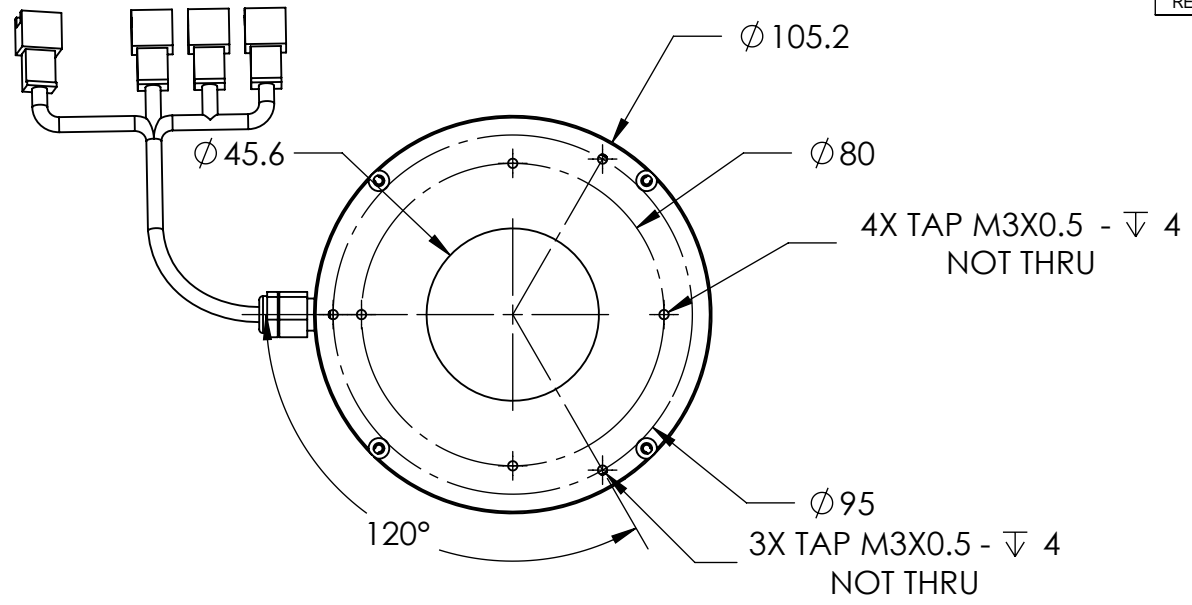
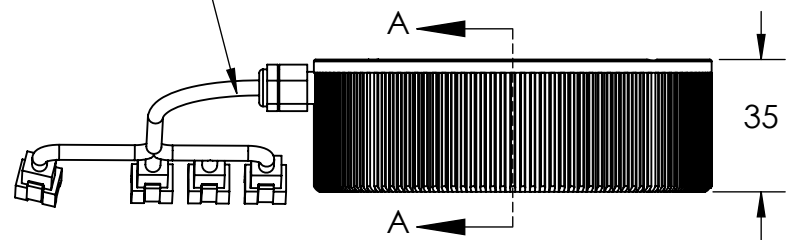


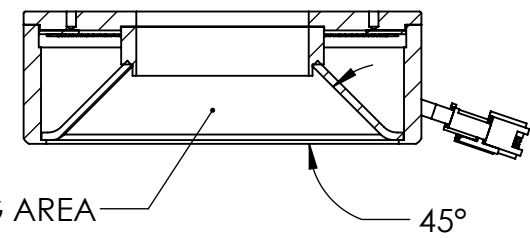
REVISIONS			
REV.	DESCRIPTIONS	EDIT BY	DATE:(d/m/y)



4 X CONNECTOR
50CM CABLE



SECTION A-A
SCALE 1 : 2



EMITTING AREA 45°

DESIGN BY	FIRDAUS	UNIT: MM	PRODUCT SERIES: DLR3 SERIES							
CHECK BY	NIZAM	ϕ \square SIZE A4								
DATE	24/5/2022	REVISION:	TITLE	DRAWING LAYOUT						
MATERIAL	-	01	PART NO	DLR3-45-100-1-RGBW-24V						
FINISHING	-	SCALE:	DWG NO	-						
QTY	-	1:1	GEN. TOLERANCES							
<table border="1"> <tr> <td>X</td> <td>± 0.15</td> </tr> <tr> <td>X.X</td> <td>± 0.1</td> </tr> <tr> <td>X.XX</td> <td>± 0.05</td> </tr> </table>					X	± 0.15	X.X	± 0.1	X.XX	± 0.05
X	± 0.15									
X.X	± 0.1									
X.XX	± 0.05									
				SHEET 1 OF 1						

