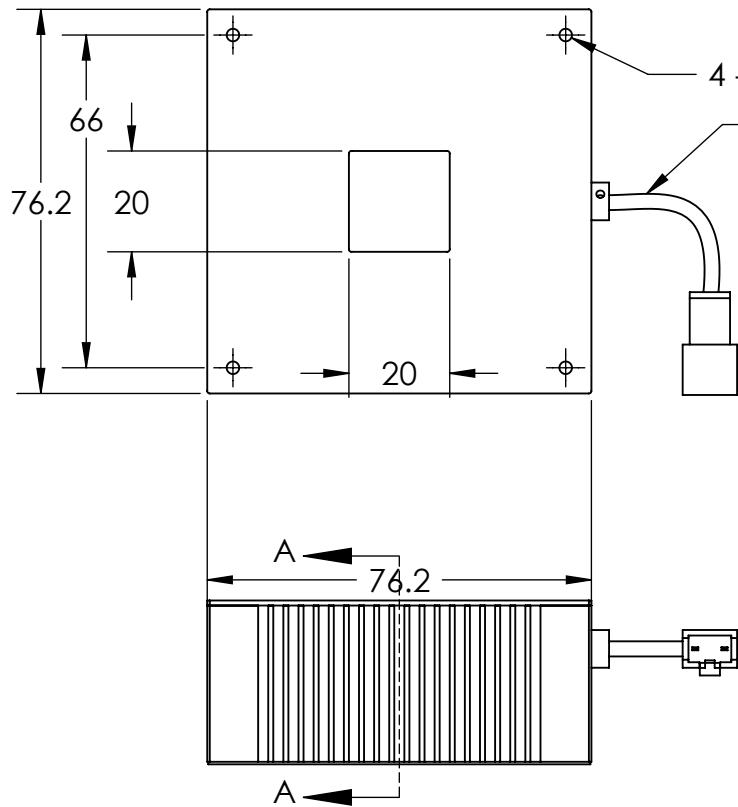


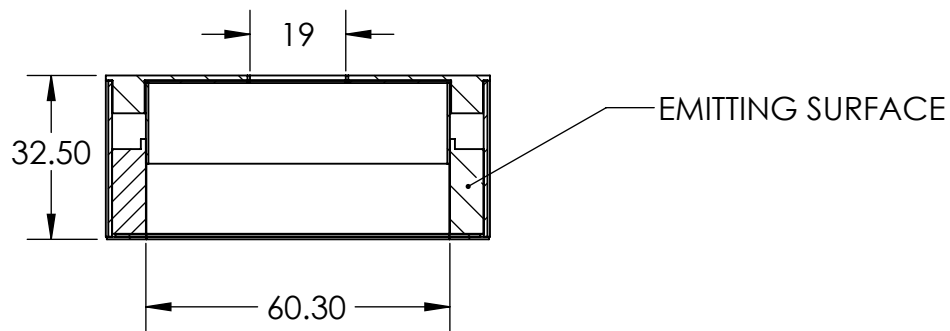
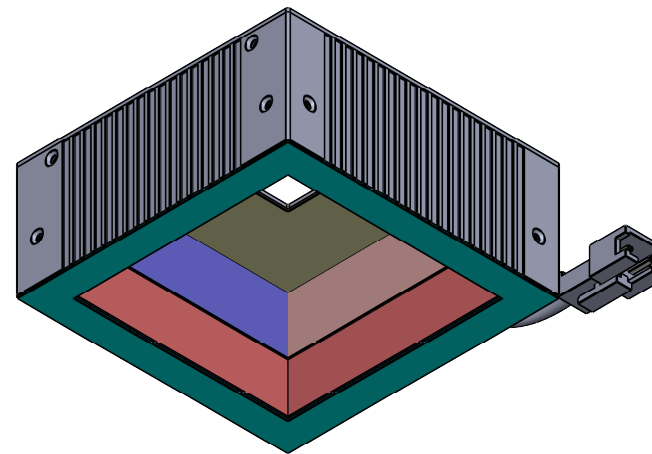
1 2 3 4 5 6 7 8

REVISIONS			
REV.	DESCRIPTIONS	EDIT BY	DATE:(d/m/y)

0



4 - TAP M3 ∇ 5 N.S
24V CONNECTOR & CABLE 50cm



EMITTING SURFACE



DESIGN BY	FIRDAUS	UNIT: MM	PRODUCT SERIES: DLQ2 SERIES	
CHECK BY	NIZAM	\oplus \ominus SIZE A4		
DATE	3/6/2022	REVISION:	TITLE	DRAWING LAYOUT
MATERIAL	-	01	PART NO	DLQ2-90-070-1-X-24V
FINISHING	-	SCALE:	DWG NO	-
QTY	-	1:1	GEN. TOLERANCES	
X \pm 0.15				
X.X \pm 0.1				
X.XX \pm 0.05				
SHEET 1 OF 1				

1 2 3 4 5 6 7 8