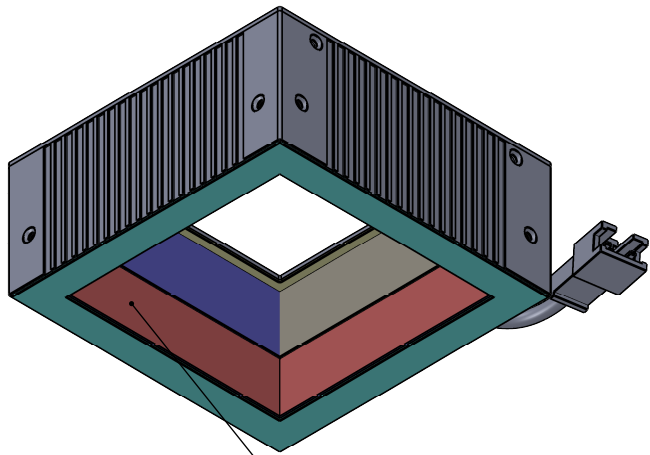
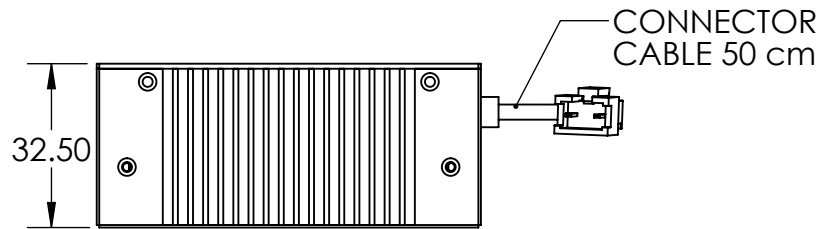
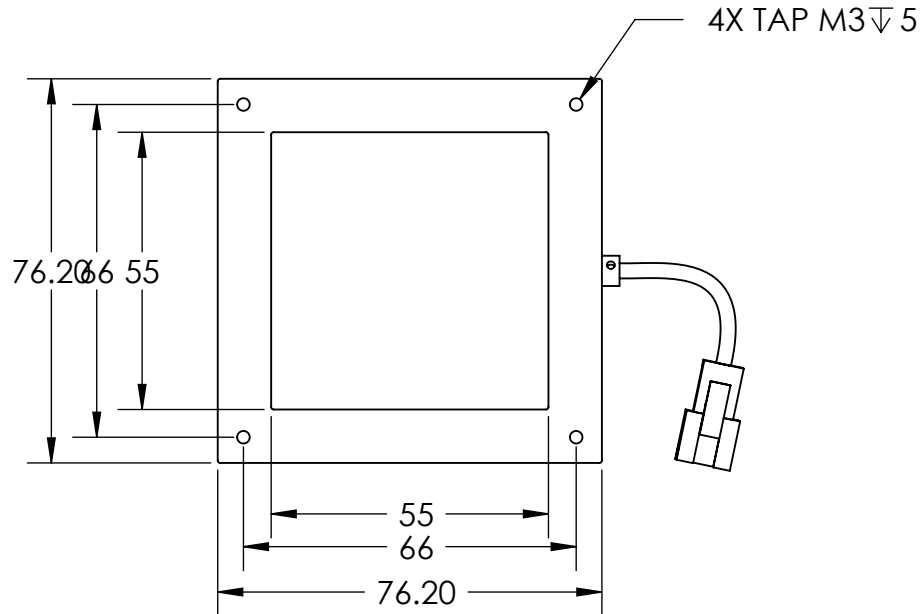


REVISIONS			
REV.	DESCRIPTIONS	EDIT BY	DATE:(d/m/y)



EMITTING AREA



DESIGN BY	FIRDAUS	UNIT: MM	PRODUCT SERIES: DLF2 SERIES							
CHECK BY	NIZAM	$\oplus$ $\ominus$ SIZE A4								
DATE	7/6/2022	REVISION:	TITLE	DRAWING LAYOUT						
MATERIAL	-	01	PART NO	DLF2-90-070-1-X-24V						
FINISHING	-	SCALE:	DWG NO	-						
QTY	-	1:1	GEN. TOLERANCES							
<table border="1"> <tr> <td>X</td> <td><math>\pm</math>0.15</td> </tr> <tr> <td>X.X</td> <td><math>\pm</math>0.1</td> </tr> <tr> <td>X.XX</td> <td><math>\pm</math>0.05</td> </tr> </table>					X	$\pm$ 0.15	X.X	$\pm$ 0.1	X.XX	$\pm$ 0.05
X	$\pm$ 0.15									
X.X	$\pm$ 0.1									
X.XX	$\pm$ 0.05									
				SHEET 1 OF 1						

