

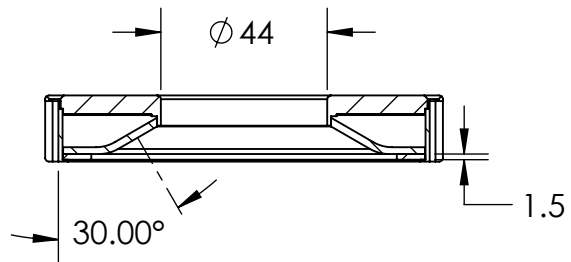
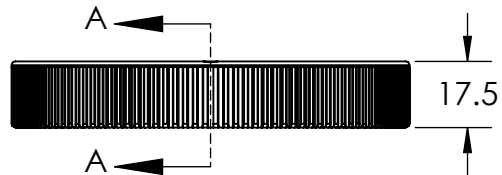
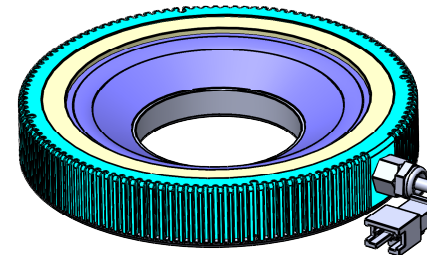
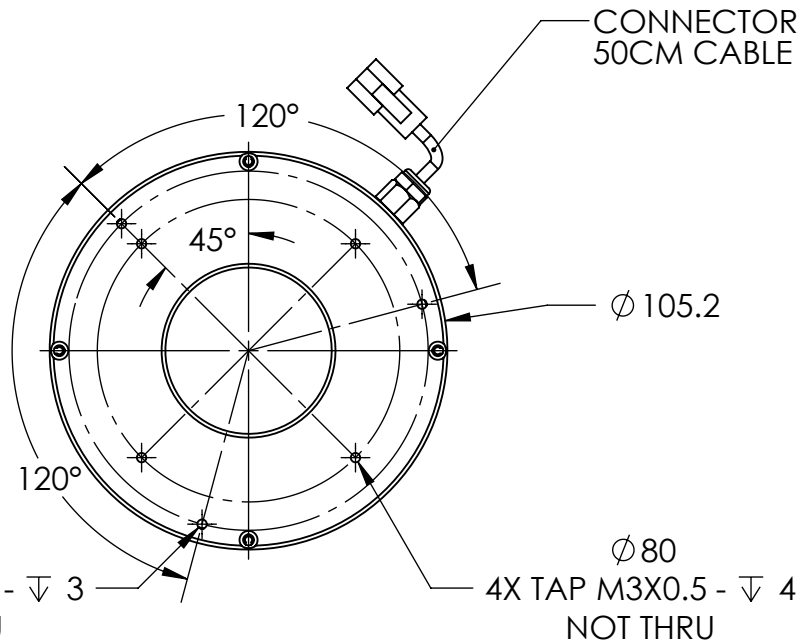
REVISIONS			
REV.	DESCRIPTIONS	EDIT BY	DATE:(d/m/y)

D D

C C

B B

A A



SECTION A-A  
SCALE 1 : 2



DESIGN BY	FIRDAUS	UNIT: MM	PRODUCT SERIES: DFR4 SERIES	
CHECK BY	NIZAM	SIZE A4		
DATE	3/6/2022	REVISION:	TITLE      DRAWING LAYOUT	
MATERIAL	-	01		
FINISHING	-	SCALE:	PART NO	DFR4-30-100-1-X-24V
QTY	-	1:1	DWG NO	-
				GEN. TOLERANCES
				X      ±0.15
				X.X    ±0.1
				X.XX   ±0.05
				SHEET 1 OF 1