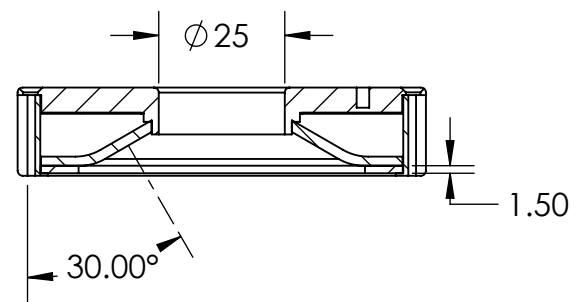
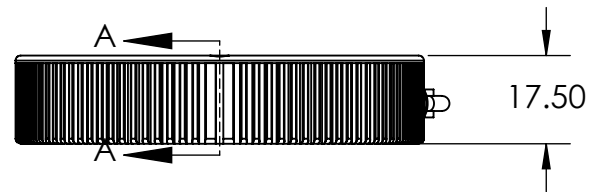
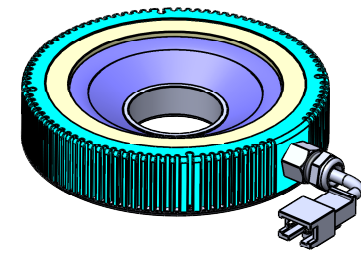
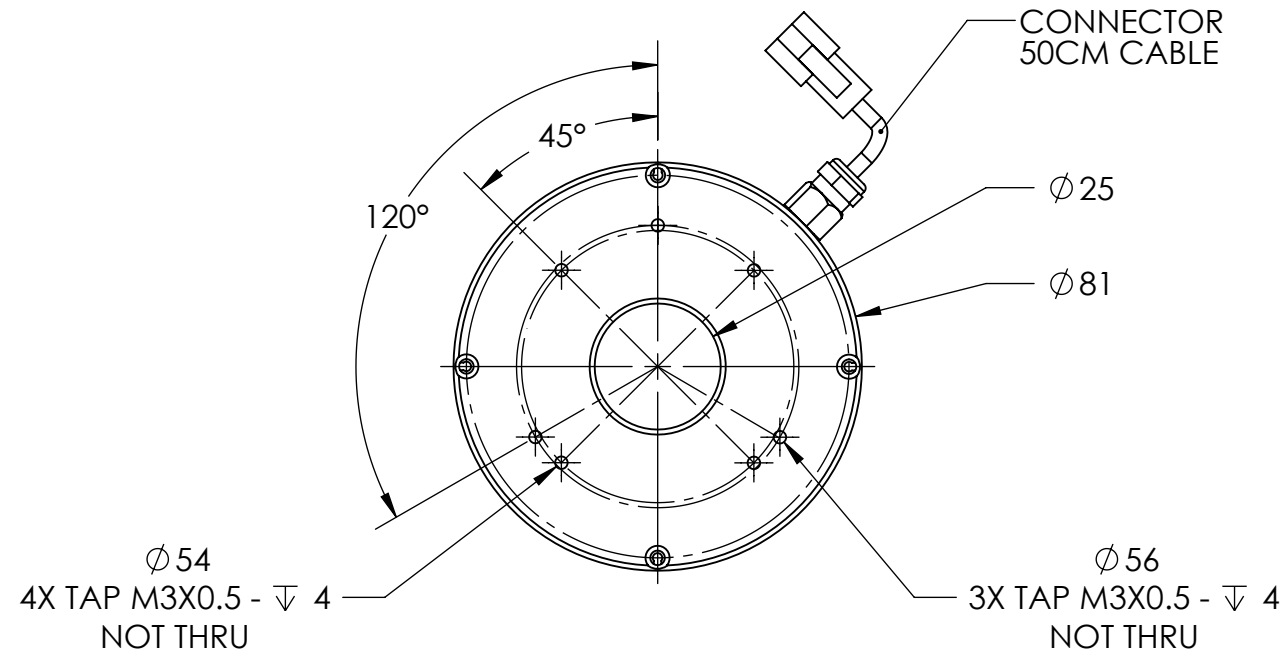


REVISIONS			
REV.	DESCRIPTIONS	EDIT BY	DATE:(d/m/y)



SECTION A-A
SCALE 1 : 1.5



DESIGN BY	FIRDAUS	UNIT: MM	PRODUCT SERIES: DFR4 SERIES	
CHECK BY	NIZAM	ϕ \square SIZE A4		
DATE	3/6/2022	REVISION:	TITLE	DRAWING LAYOUT
MATERIAL	-	01	PART NO	DFR4-30-080-1-X-24V
FINISHING	-	SCALE:	DWG NO	-
QTY	-	1:1	GEN. TOLERANCES	
X ± 0.15				
X.X ± 0.1				
X.XX ± 0.05				
SHEET 1 OF 1				