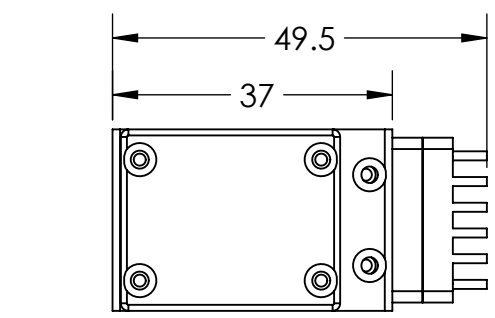
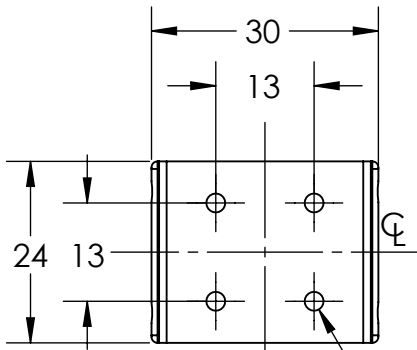
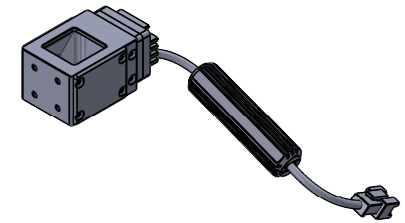
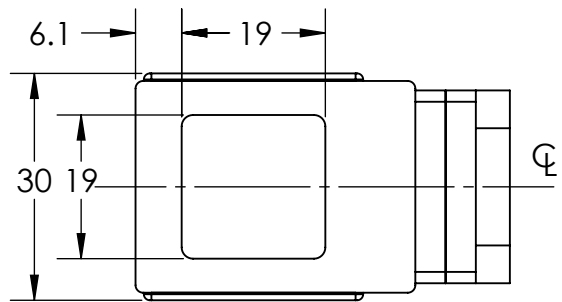
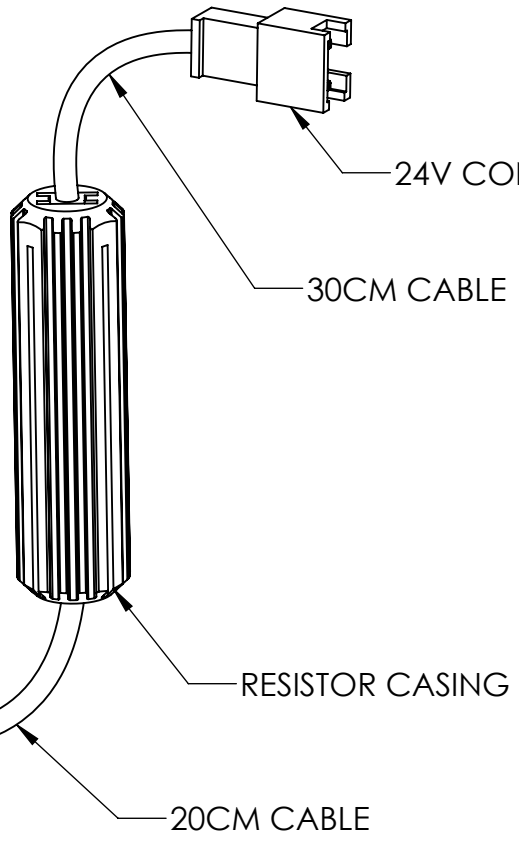
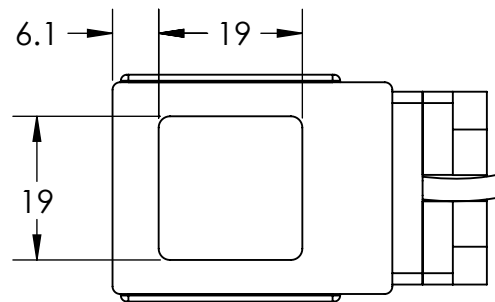


REVISIONS			
REV.	DESCRIPTIONS	EDIT BY	DATE:(d/m/y)



4X TAP M3X0.5 - ∇ 4 NOT THRU



24V CONNECTOR

30CM CABLE

RESISTOR CASING

20CM CABLE

DESIGN BY	FIRDAUS	UNIT: MM	PRODUCT SERIES: CASC SERIES	
CHECK BY	NIZAM	SIZE A4		
DATE	7/6/2022	REVISION:	TITLE	DRAWING LAYOUT
MATERIAL	-	01	PART NO	CASC-00-015-X-X-24V
FINISHING	-	SCALE:	DWG NO	-
QTY	-	1:1	GEN. TOLERANCES	
			X	±0.15
			X.X	±0.1
			X.XX	±0.05
			SHEET 1 OF 1	

