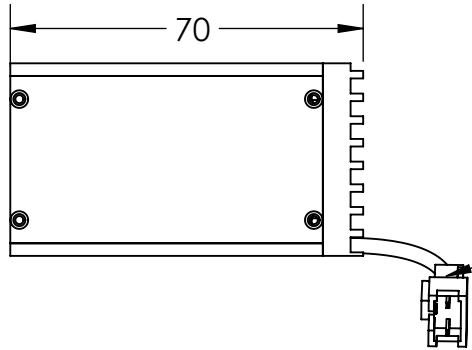
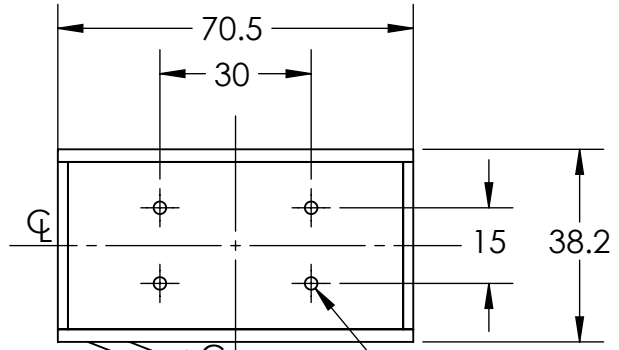
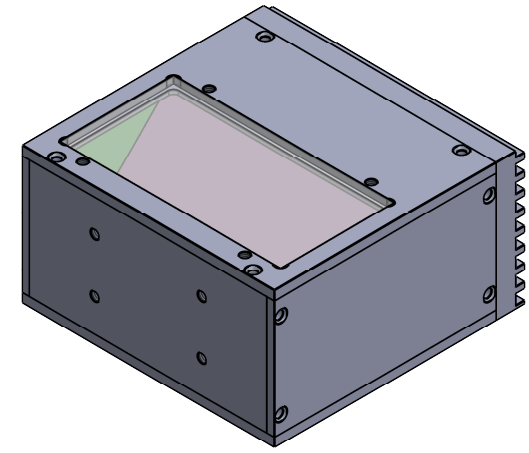
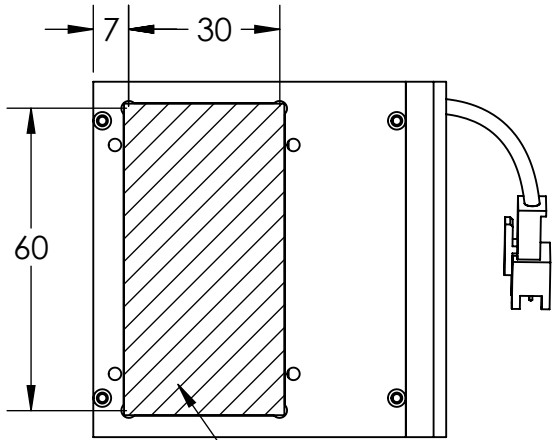


REVISIONS			
REV.	DESCRIPTIONS	EDIT BY	DATE:(d/m/y)



4X TAP M3X0.5 - ∇ 5 NOT THRU

24V CONNECTOR & 50CM CABLE



DESIGN BY	FIRDAUS	UNIT: MM	PRODUCT SERIES: CAS SERIES	
CHECK BY	NIZAM	SIZE A4	TITLE DRAWING LAYOUT	
DATE	24/5/2022	REVISION:	PART NO	CAS30-00-30X60-X-X-24V
MATERIAL	-	01	DWG NO	-
FINISHING	-	SCALE:	GEN. TOLERANCES	
QTY	-	1:1	X	±0.15
			X.X	±0.1
			X.XX	±0.05
			SHEET 1 OF 1	