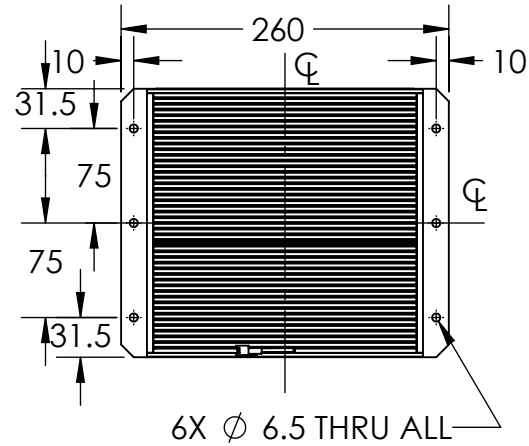
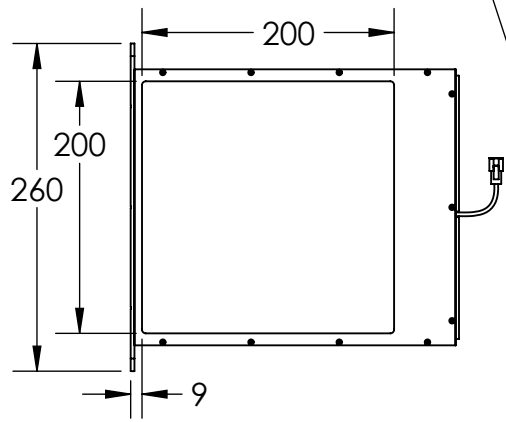
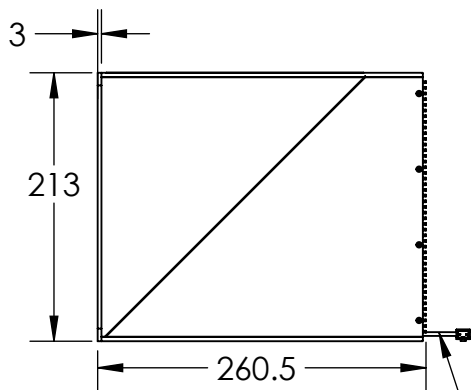
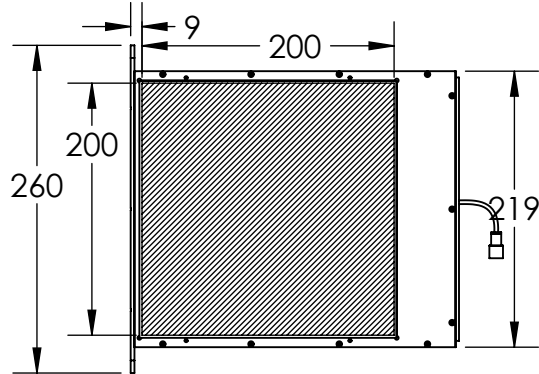
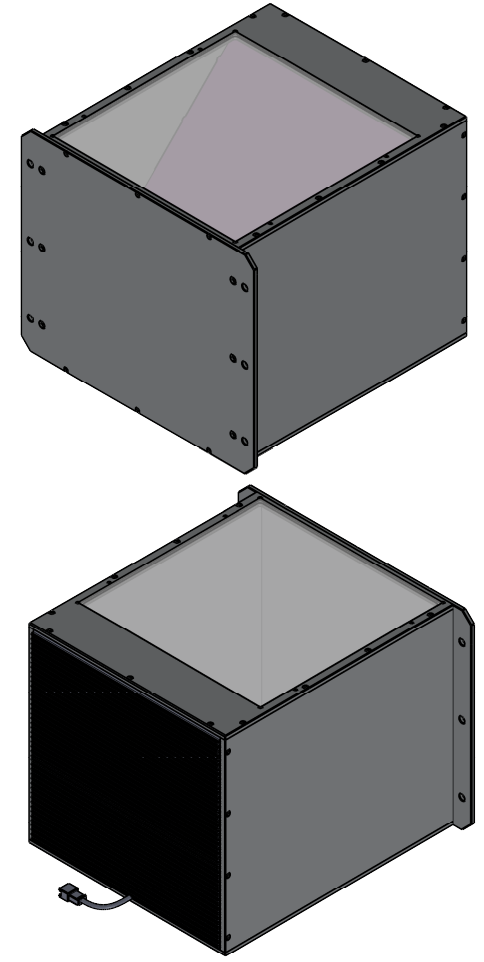


REVISIONS			
REV.	DESCRIPTIONS	EDIT BY	DATE:(d/m/y)



24V CONNECTOR  
50CM CABLE



DESIGN BY	FIRDAUS	UNIT: MM	PRODUCT SERIES: CAS3 SERIES	
CHECK BY	NIZAM	SIZE A4		
DATE	7/6/2022	REVISION:	TITLE	DRAWING LAYOUT
MATERIAL	-	01	PART NO	CAS3-00-200-X-X-24V
FINISHING	-	SCALE:	DWG NO	-
QTY	-	1:1	GEN. TOLERANCES	
			X ±0.15	
			X.X ±0.1	
			X.XX ±0.05	
			SHEET 1 OF 1	