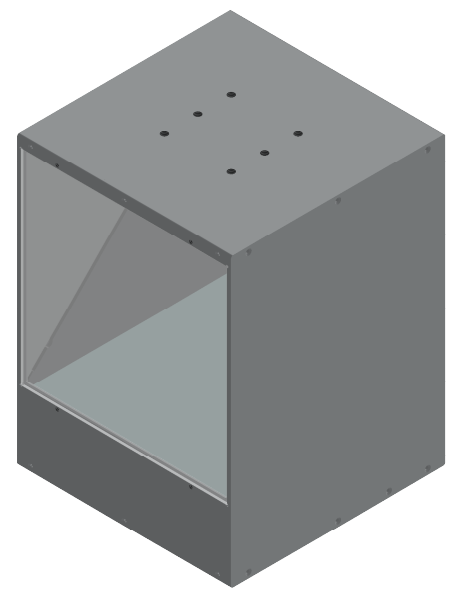
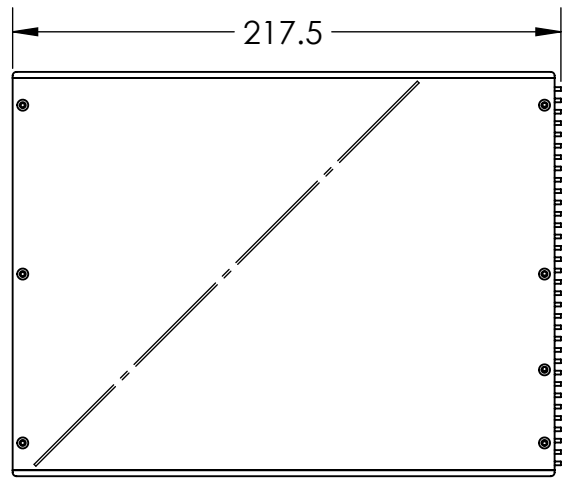
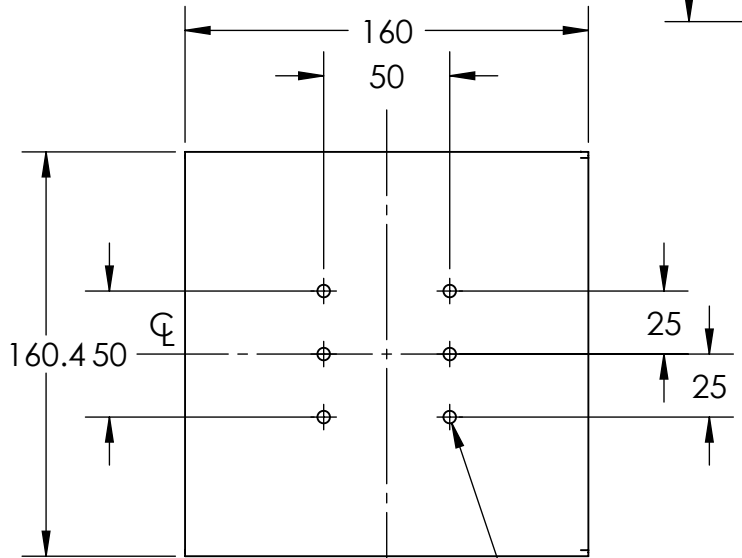
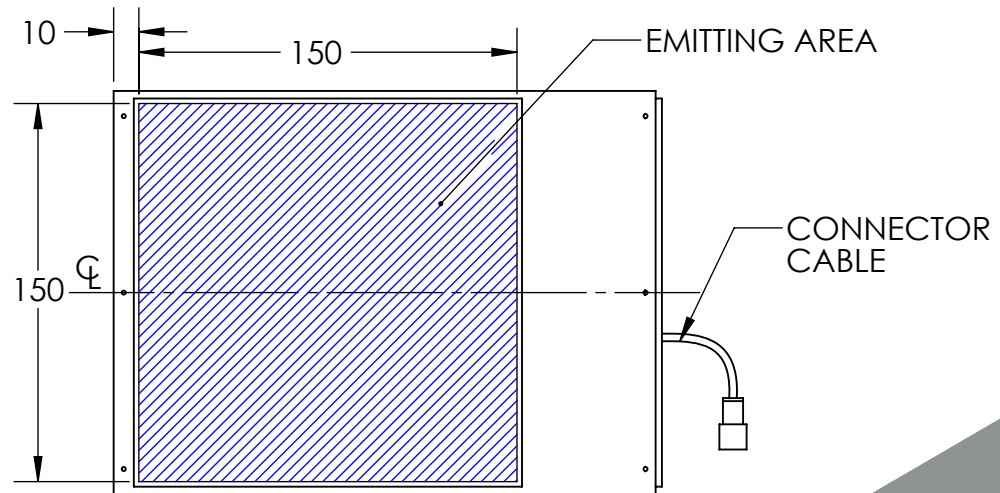


1 2 3 4 5 6 7 8

REVISIONS			
REV.	DESCRIPTIONS	EDIT BY	DATE:(d/m/y)



6X TAP M6X1.0 - ∇ 6
NOT THRU



DESIGN BY	FIRDAUS	UNIT: MM
CHECK BY	NIZAM	SIZE A4
DATE	7/6/2022	REVISION:
MATERIAL	-	01
FINISHING	-	SCALE:
QTY	-	1:1

PRODUCT SERIES: CAS3 SERIES		GEN. TOLERANCES	
TITLE	DRAWING LAYOUT	X	±0.15
PART NO	CAS3-00-150-X-X-24V	X.X	±0.1
DWG NO	-	X.XX	±0.05
		SHEET 1 OF 1	

1 2 3 4 5 6 7 8

D
C
B
A

D
C
B
A