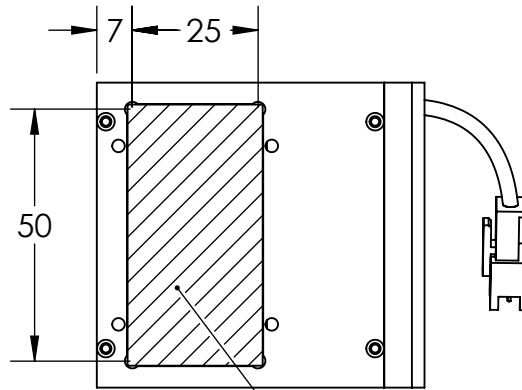
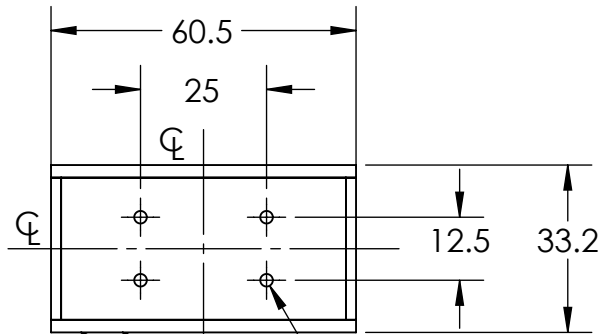
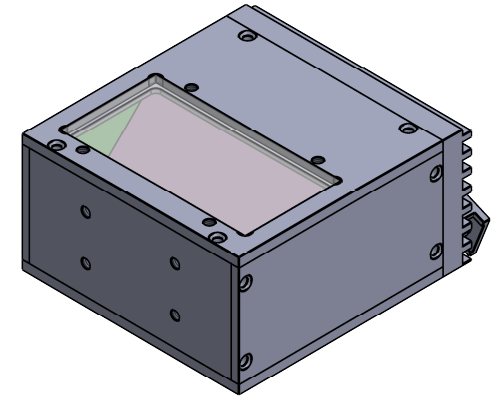


1 2 3 4 5 6 7 8

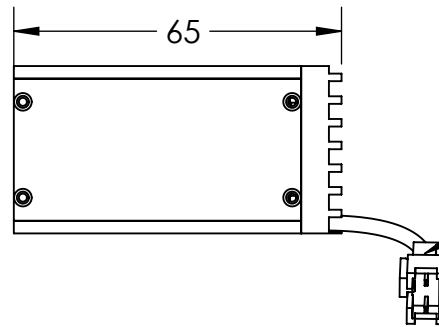
REVISIONS			
REV.	DESCRIPTIONS	EDIT BY	DATE:(d/m/y)



EMITTING AREA



4X TAP M3X0.5 - ∇ 5
NOT THRU



24V CONNECTOR
& 50CM CABLE

DESIGN BY	FIRDAUS	UNIT: MM	PRODUCT SERIES: CAS SERIES							
CHECK BY	NIZAM	SIZE A4								
DATE	24/5/2022	REVISION:	TITLE	DRAWING LAYOUT						
MATERIAL	-	01	PART NO	CAS25-00-25X50-X-X-24V						
FINISHING	-	SCALE:	DWG NO	-						
QTY	-	1:1	GEN. TOLERANCES							
<table border="1"> <tr> <td>X</td> <td>±0.15</td> </tr> <tr> <td>X.X</td> <td>±0.1</td> </tr> <tr> <td>X.XX</td> <td>±0.05</td> </tr> </table>					X	±0.15	X.X	±0.1	X.XX	±0.05
X	±0.15									
X.X	±0.1									
X.XX	±0.05									
				SHEET 1 OF 1						



1 2 3 4 5 6 7 8

D

C

B

A

D

C

B

A