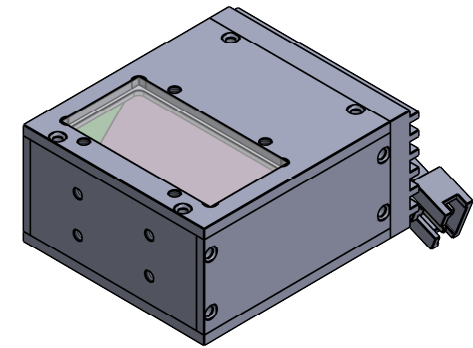
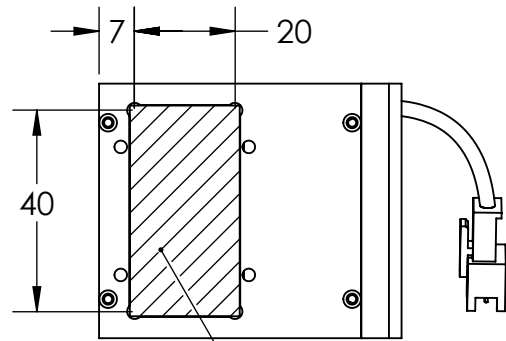
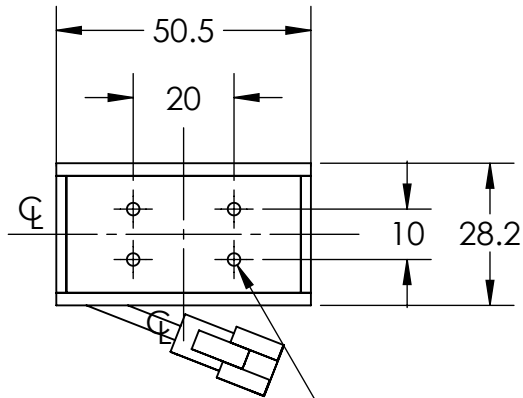


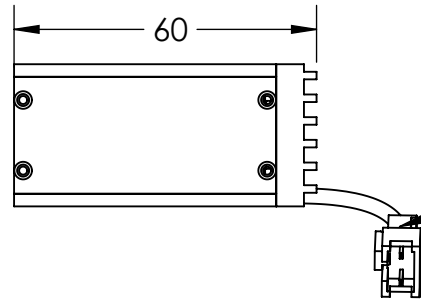
REVISIONS			
REV.	DESCRIPTIONS	EDIT BY	DATE:(d/m/y)



EMITTING AREA



4X TAP M3X0.5 - 5 NOT THRU



24V CONNECTOR & 50CM CABLE

DESIGN BY	FIRDAUS	UNIT: MM
CHECK BY	NIZAM	SIZE A4
DATE	24/5/2022	REVISION:
MATERIAL	-	01
FINISHING	-	SCALE:
QTY	-	1:1

PRODUCT SERIES: CAS SERIES



TITLE	DRAWING LAYOUT	GEN. TOLERANCES
PART NO	CAS20-00-20X40-X-X-24V	X ±0.15
DWG NO	-	X.X ±0.1
		X.XX ±0.05
		SHEET 1 OF 1