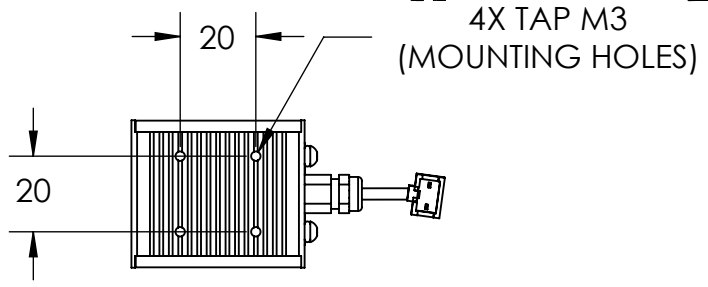
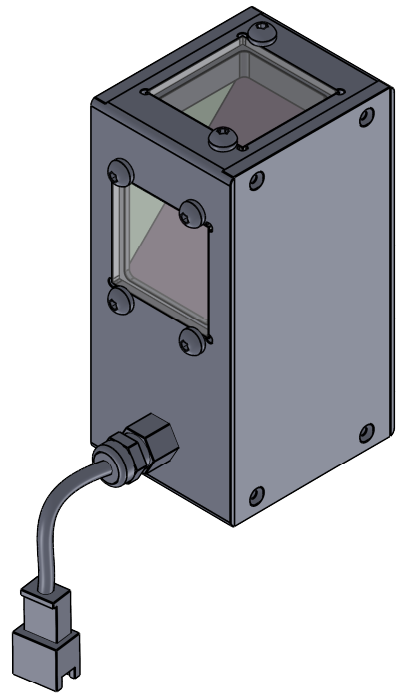
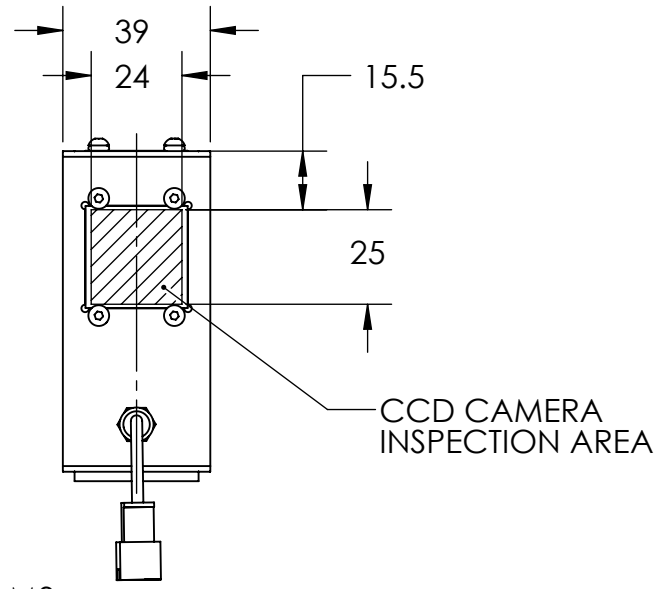
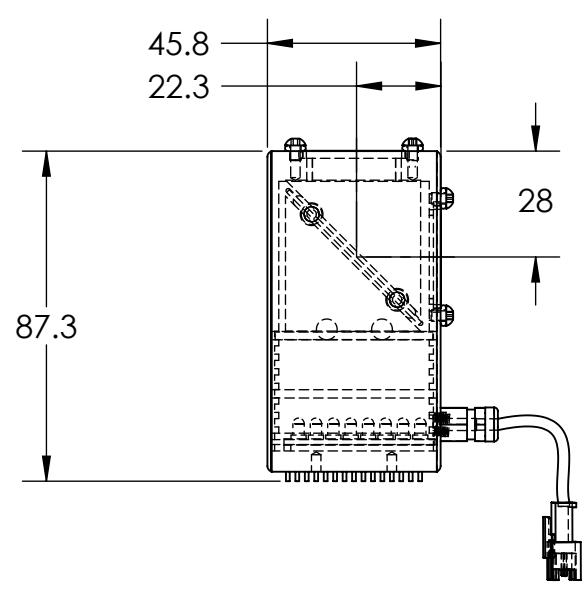
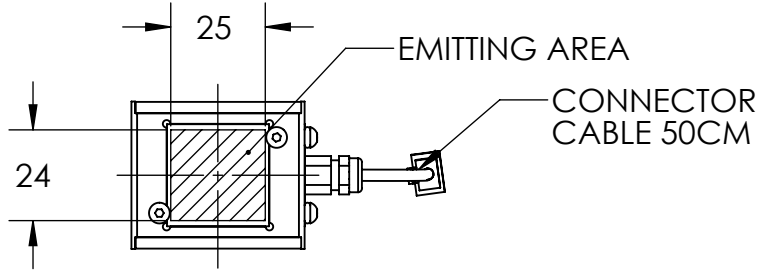


REVISIONS			
REV.	DESCRIPTIONS	EDIT BY	DATE:(d/m/y)



DESIGN BY	FIRDAUS	UNIT: MM
CHECK BY	NIZAM	⊕ ⊖ SIZE A4
DATE	26/5/2022	REVISION: 01
MATERIAL	-	SCALE: 1:1
FINISHING	-	
QTY	-	

PRODUCT SERIES: CAS2 SERIES		GEN. TOLERANCES	
TITLE	DRAWING LAYOUT	X	±0.15
PART NO	CAS2-45-020-X-X-24V	X.X	±0.1
DWG NO	-	X.XX	±0.05
			SHEET 1 OF 1

