

REVISIONS			
REV.	DESCRIPTIONS	EDIT BY	DATE:(d/m/y)

D

C

B

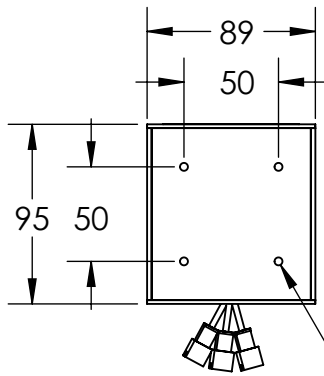
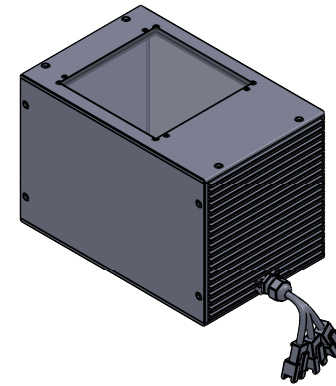
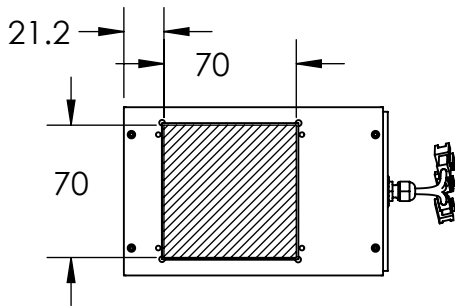
A

D

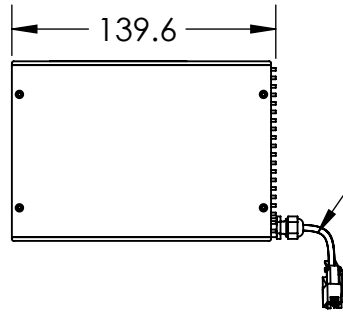
C

B

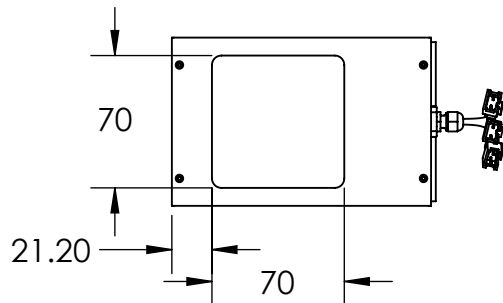
A



4X TAP M5X0.8 -  $\nabla$  5  
NOT THRU



3 X CONNECTOR  
50CM CABLE



DESIGN BY	FIRDAUS	UNIT: MM
CHECK BY	NIZAM	$\oplus \ominus$ SIZE A4
DATE	26/5/2022	REVISION:
MATERIAL	-	01
FINISHING	-	SCALE:
QTY	-	1:1

PRODUCT SERIES: CAS2 SERIES



TITLE	DRAWING LAYOUT	GEN. TOLERANCES
PART NO	CAS2-00-070-X-RGB-24V	X ±0.15
DWG NO	-	X.X ±0.1
		X.XX ±0.05
		SHEET 1 OF 1