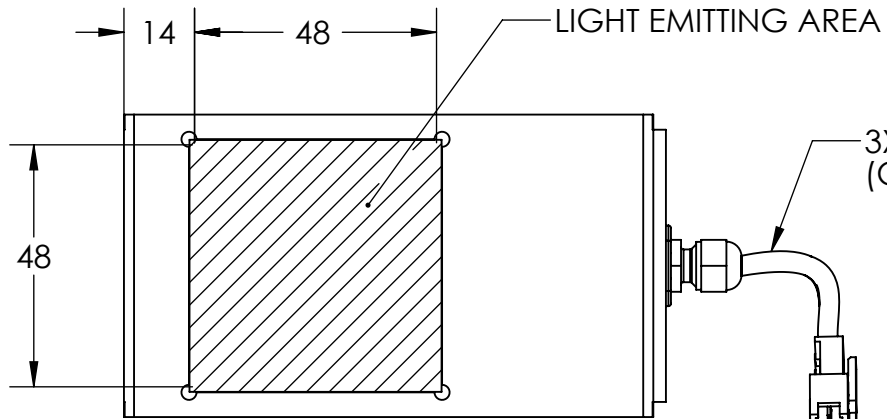
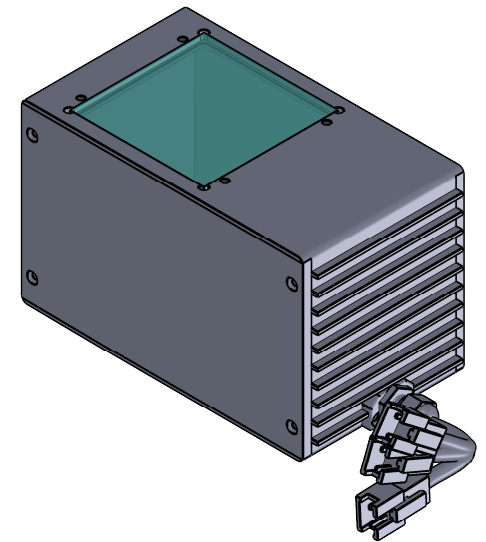


REVISIONS			
REV.	DESCRIPTIONS	EDIT BY	DATE:(d/my)

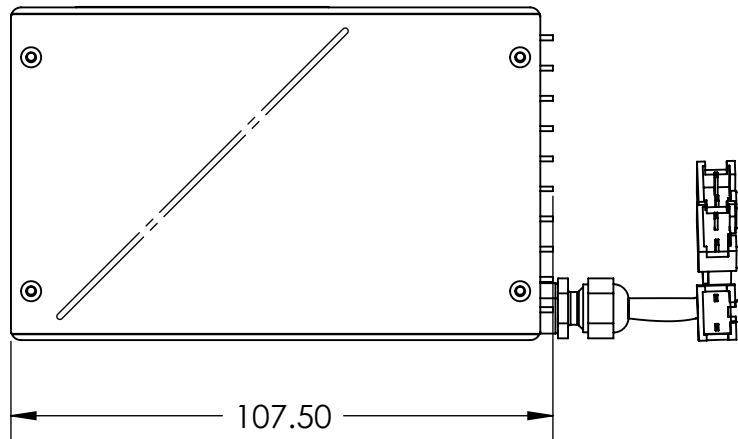
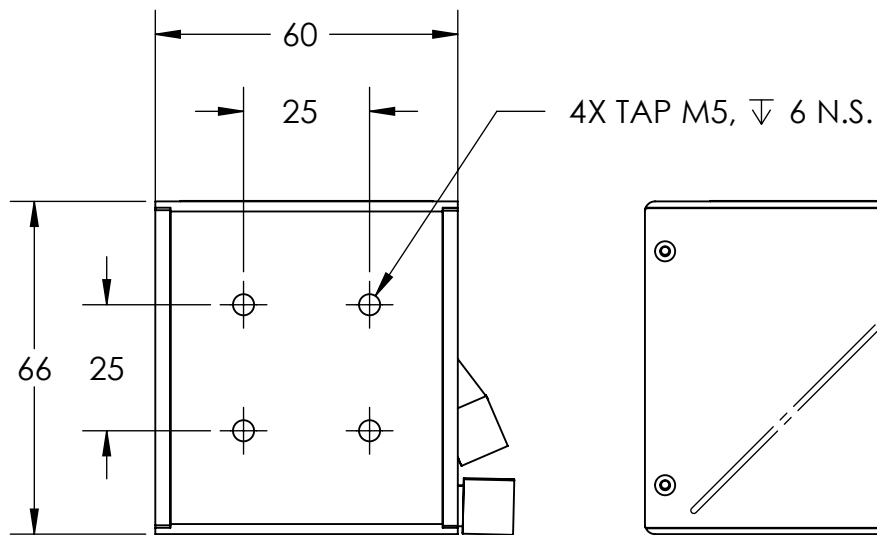
D



3X CONNECTOR
(CABLE 50CM)



C



B

A

DESIGN BY	FIRDAUS	UNIT: MM
CHECK BY	NIZAM	⊕ ⊖ SIZE A4
DATE	26/5/2022	REVISION:
MATERIAL	-	01
FINISHING	-	SCALE:
QTY	-	1:1

PRODUCT SERIES: CAS2 SERIES

TITLE	DRAWING LAYOUT
PART NO	CAS2-00-040-X-RGB-24V
DWG NO	-

GEN. TOLERANCES	
X	±0.15
X.X	±0.1
X.XX	±0.05
SHEET 1 OF 1	

